

La Cuisine International



LA CUISINE
INTERNATIONAL

La Cuisine International
2005 NW 115th Ave.
Miami, FL 33172
Phone: (305) 418 0010
www.lacuisineinternational.com

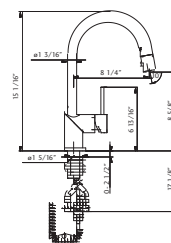
DESIGNER SERIES - FAUCETS

KFPD1100



Chrome Finish

Solid brass construction
 Ceramic disc cartridge
 Backflow prevention
 Spray head extends to 24" long
 Dual spray mode (spray or stream)
 Requires 1 3/8" diameter hole
 Rated at 2.2 USGPM, 8.3 L/min.

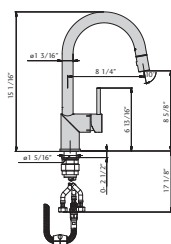


KFPD1150



Satin Nickel Finish

Solid brass construction
 Ceramic disc cartridge
 Backflow prevention
 Spray head extends to 24" long
 Dual spray mode (spray or stream)
 Requires 1 3/8" diameter hole
 Rated at 2.2 USGPM, 8.3 L/min.

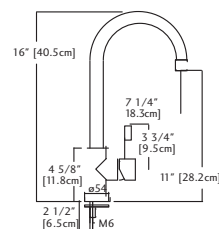


KF10A



High Arc Stainless Steel Gooseneck Faucet

Commercial satin finish
Solid stainless steel construction
 Ceramic disc valve
 Flow – aerated stream
 3/8" flexible braided hose x 22" long
 Requires 1 1/2" diameter hole
 Faucet can accommodate a countertop thickness up to 1 1/2"
 Water saver faucet rated at 2.2 USGPM, 8.3 L/min.

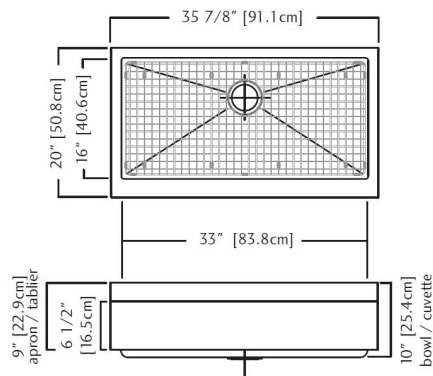


DESIGNER SERIES - FARMHOUSE SINKS

KCFS36A/10-10BG



- Linear front apron
- 10 mm radius coved corners
- Base cabinet size 36"



Optional Accessories

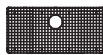


MB1612



DBR10S

Included Accessories

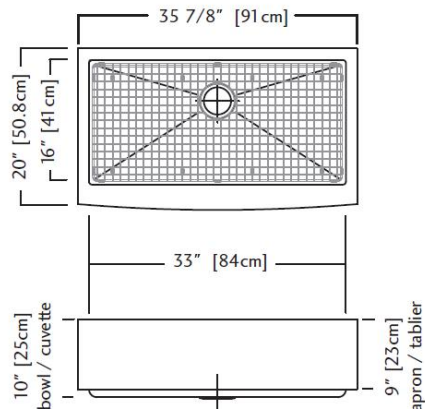


BGDS33S

KCFS36B/10-10BG



- Bow front apron
- 10 mm radius coved corners
- Base cabinet size 36"



Optional Accessories



MB1612



DBR10S

Included Accessories



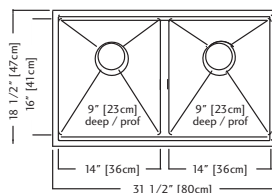
BGDS33S

DESIGNER SERIES - TOPMOUNT SINKS

KCD33/9-10A



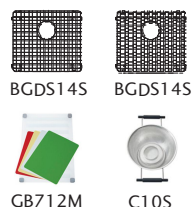
- 10 mm radius coved corners
- Bowls are pitched to the center of the wastehole
- Recommended minimum cabinet size 33"



Optional Accessories



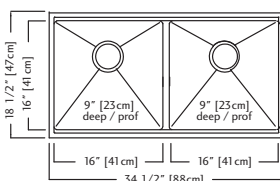
Included Accessories



KCD36/9-10A



- 10 mm radius coved corners
- Recommended minimum cabinet size 36"



Included Accessories



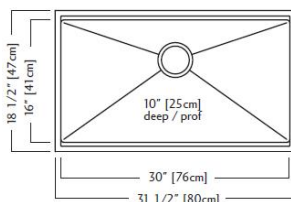
Optional Accessories



KCS33/10-10A



- A generous 10" deep single bowl
- 10 mm radius coved corners
- Recommended minimum cabinet size 33"



Included Accessories



Optional Accessories

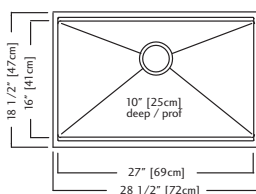


DESIGNER SERIES - TOPMOUNT SINKS

KCS30/10-10A



- 10 mm radius coved corners
- Recommended minimum cabinet size 30"



Included Accessories



BGDS27S



GB712M



C10S

Optional Accessories

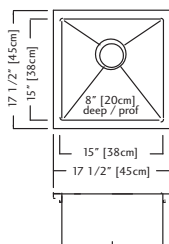


DBR10S

KCS21SR/8-10BG



- 10 mm radius coved corners
- Recommended minimum cabinet size 21"



Included Accessories



BGDS15S

Optional Accessories



C20S



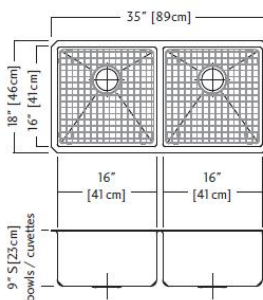
DBR10S

DESIGNER SERIES - UNDERMOUNT SINKS

KCUD36/9-10BG



- Two large 9" deep equal sized bowls
- 10 mm radius coved corners
- Recommended minimum cabinet size 36"



Included Accessories



BGDS16S BGDS16S

Optional Accessories



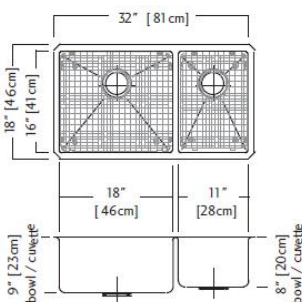
MB1612

DBR10S

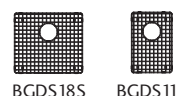
KCUC33R/9-10BG



- An extra large 9" deep bowl and a small 8" deep bowl
- 10 mm radius coved corners
- Recommended minimum cabinet size 33"

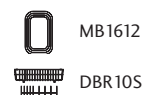


Included Accessories



BGDS18S BGDS11S

Optional Accessories



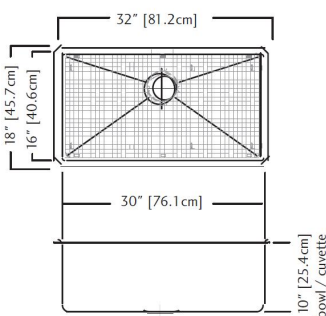
MB1612

DBR10S

KCUS33A/10-10BG



- A generous 10" deep single bowl
- 10 mm radius coved corners
- Recommended minimum cabinet size 33"

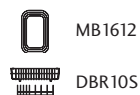


Included Accessories



BGDS30S

Optional Accessories

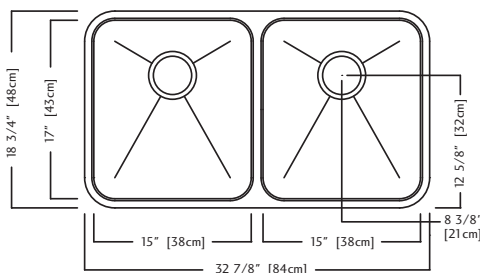


MB1612

DBR10S

KINDRED COLLECTION UNDERMOUNT - Inox AISI 304 18/10 18 gauge.

KSD1UA/9D (New model for KSDU)



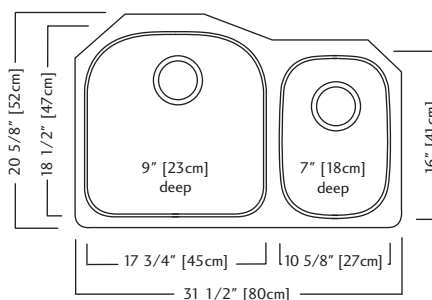
- *Includes stainless steel drain(s)
- *Includes cardboard template to open the surface space for the sink
- *Comes in a cardboard box for protection

- Stainless Steel 18-10 (Cr-Ni)
- Two big and spacious bowl
- Spillway division®

Optional Accessories



KSDCRU



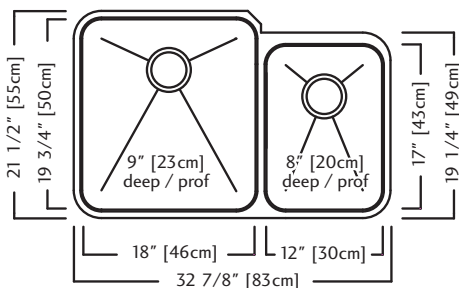
- *Includes stainless steel drain(s)
- *Includes cardboard template to open the surface space for the sink
- *Comes in a cardboard box for protection

- Stainless Steel 18-10 (Cr-Ni)
- One big and one medium bowl
- Spillway division®

Optional Accessories



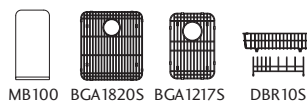
KSCM1RUA/9D (New model for KSDC2RU)



- *Includes stainless steel drain(s)
- *Includes cardboard template to open the surface space for the sink
- *Comes in a cardboard box for protection

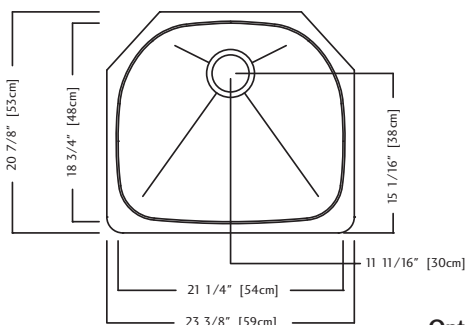
- Stainless Steel 18-10 (Cr-Ni)
- One big and one medium bowl
- Spillway division®

Optional Accessories



KINDRED COLLECTION **UNDERMOUNT** - Inox AISI 304 18/10 18 gauge.

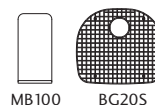
KSSXUA/9D (New model for KSSXU)



- *Includes stainless steel drain(s)
- *Includes cardboard template to open the surface space for the sink
- *Comes in a cardboard box for protection

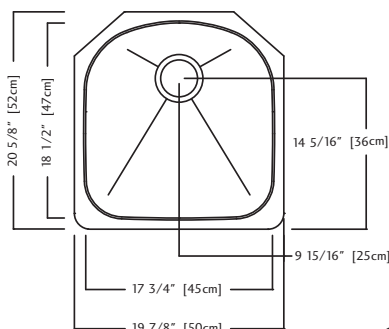
- Stainless Steel 18-10 (Cr-Ni)
- One big ample and comfortable bowl

Optional Accessories



KSS2UA/9D (New model for KSS2U)

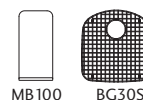
best seller



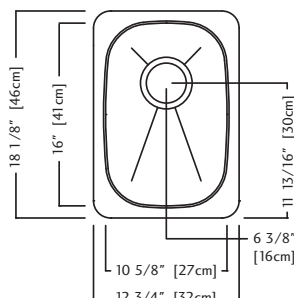
- *Includes stainless steel drain(s)
- *Includes cardboard template to open the surface space for the sink
- *Comes in a cardboard box for protection

- Stainless Steel 18-10 (Cr-Ni)
- One big ample and comfortable bowl

Optional Accessories



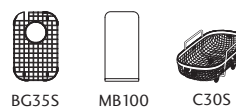
KSS3UA/7D (New model for KSS3U)



- *Includes stainless steel drain(s)
- *Includes cardboard template to open the surface space for the sink
- *Comes in a cardboard box for protection

- Stainless Steel 18-10 (Cr-Ni)
- One oval medium bowl

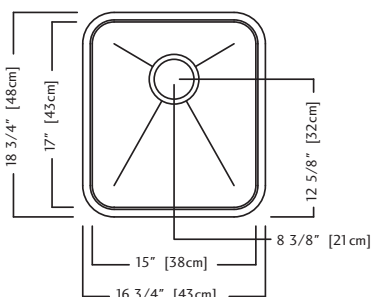
Optional Accessories



KINDRED COLLECTION UNDERMOUNT - Inox AISI 304 18/10 18 gauge.

KSS4UA/9D (New model for KSS4U)

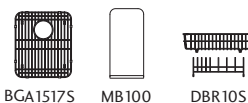
best seller



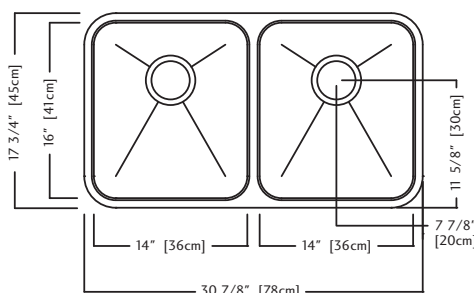
- *Includes stainless steel drain(s)
- *Includes cardboard template to open the surface space for the sink
- *Comes in a cardboard box for protection

- Stainless Steel 18-10 (Cr-Ni)
- One big ample and comfortable bowl

Optional Accessories



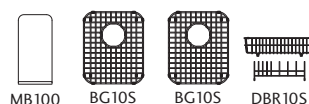
KSD2UA/9D (New model for KSD2U)



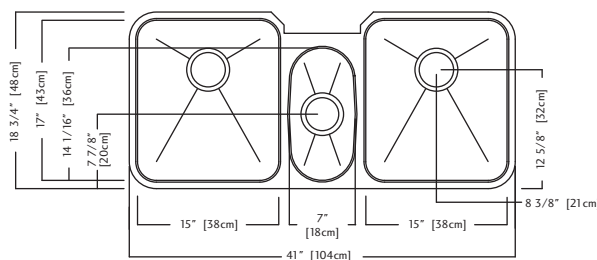
- *Includes stainless steel drain(s)
- *Includes cardboard template to open the surface space for the sink
- *Comes in a cardboard box for protection

- Stainless Steel 18-10 (Cr-Ni)
- Two big deep bowls

Optional Accessories



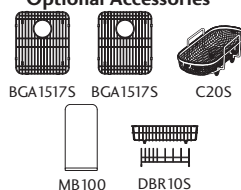
KST1UA/9D (New model for KSTU)



- *Includes stainless steel drain(s)
- *Includes cardboard template to open the surface space for the sink
- *Comes in a cardboard box for protection

- Stainless Steel 18-10 (Cr-Ni)
- Two big deep bowls, and one small bowl in the middle for vegetables and fruits

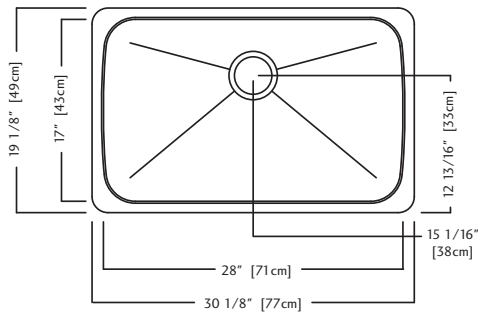
Optional Accessories



KINDRED COLLECTION UNDERMOUNT - Inox AISI 304 18/10 18 gauge.

KSS5UA/9D (New model for KSS5U)

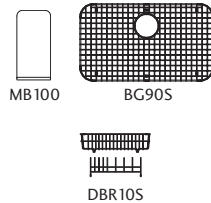
best seller



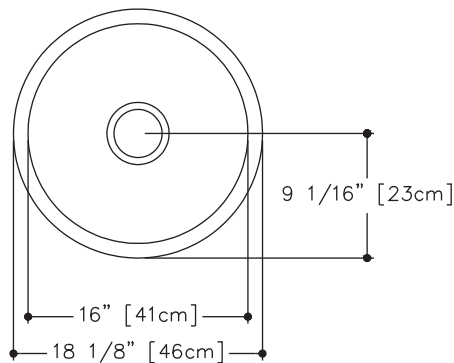
- *Includes stainless steel drain(s)
- *Includes cardboard template to open the surface space for the sink
- *Comes in a cardboard box for protection

- Stainless Steel 18-10 (Cr-Ni)
- One medium ample and comfortable bowl

Optional Accessories



KSR1UA/9 (New model for KSRU)



- *Includes stainless steel drain(s)
- *Includes cardboard template to open the surface space for the sink
- *Comes in a cardboard box for protection

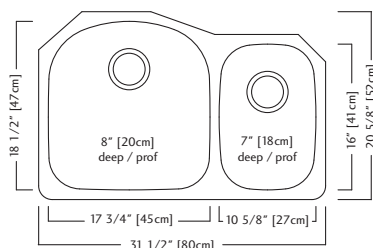
- Stainless Steel 18-10 (Cr-Ni)
- Round spacious bowl

Optional Accessories



STEEL QUEEN - UNDERMOUNT

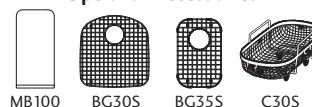
QDCU2031R/8



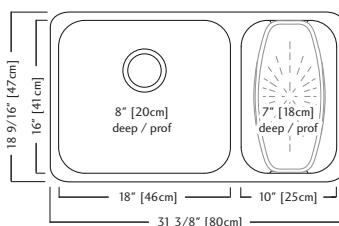
Ideal for european kitchen cabinets

- *Includes stainless steel drain(s)
- *Includes cardboard template to open the surface space for the sink
- *Comes in a cardboard box for protection

Optional Accessories



QCU1831R/8



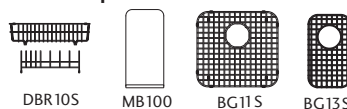
Ideal for european kitchen cabinets

- *Includes stainless steel drain(s)
- *Includes cardboard template to open the surface space for the sink
- *Comes in a cardboard box for protection

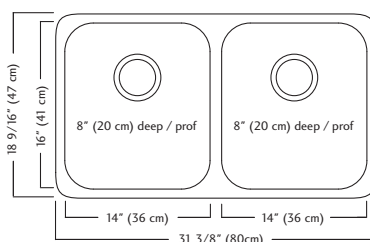
Included Accessories



Optional Accessories



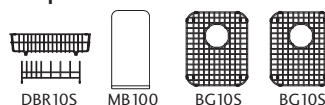
QDUA1831/8 (New model for QDU1831/8)



Ideal for european kitchen cabinets

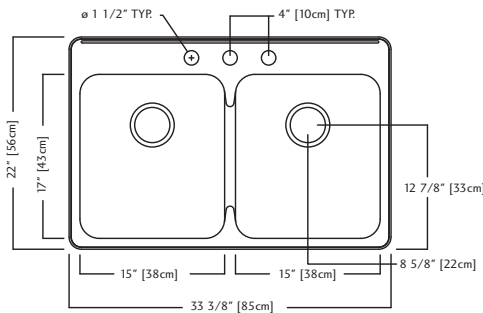
- *Includes stainless steel drain(s)
- *Includes cardboard template to open the surface space for the sink
- *Comes in a cardboard box for protection

Optional Accessories



STEEL QUEEN - Inox AISI 304 18/8 20 gauge. Made in Canada

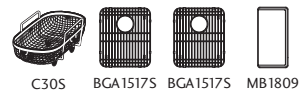
QDLA2233/8/2 (New model for QDL2233/8)



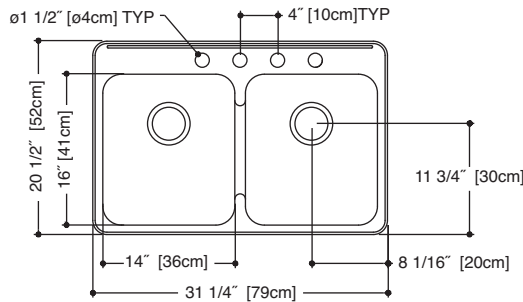
- Stainless Steel 18-8 (Cr-Ni)
- *Includes stainless steel drain(s)
- *Includes cardboard template to open the surface space for the sink
- *Comes in a cardboard box for protection

- Two big and simetric bowls
- Two holes for taps, one in the middle and one in the right side
- Spillway division®

Optional Accessories



QDL2031/8/2

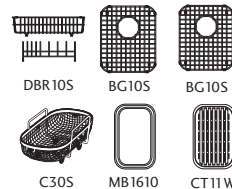


Ideal for european kitchen cabinets (51 cm depth)

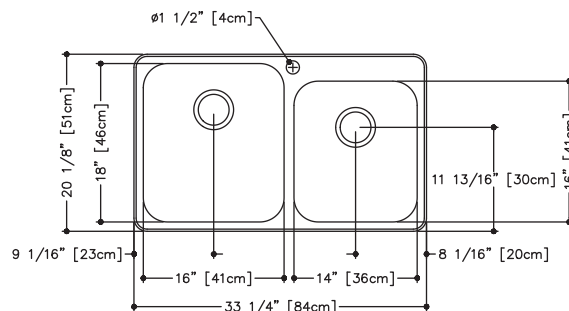
- Stainless Steel 18-8 (Cr-Ni)
- *Includes stainless steel drain(s)
- *Includes cardboard template to open the surface space for the sink
- *Comes in a cardboard box for protection

- Two big and simetric bowls
- Two holes for taps, one in the middle and one in the right side
- Spillway division®

Optional Accessories



QCM2033/8/1

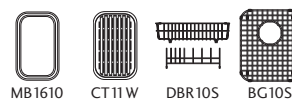


Ideal for european kitchen cabinets (51 cm depth)

- *Includes stainless steel drain(s)
- *Includes cardboard template to open the surface space for the sink
- *Comes in a cardboard box for protection

- Stainless Steel 18-8 (Cr-Ni)
- One big and one small bowl for the maximum use of space
- One tap hole
- Includes drainers

Optional Accessories



STEEL QUEEN - Inox AISI 304 18/8 20 gauge. Made in Canada

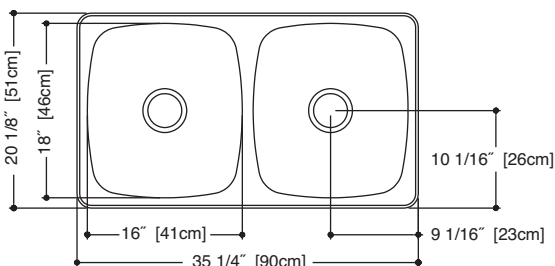
QD 2035/10

best seller



Ideal for european kitchen cabinets (51 cm depth)

- *Includes stainless steel drain(s)
- *Includes cardboard template to open the surface space for the sink
- *Comes in a cardboard box for protection



- Stainless Steel 18-8 (Cr-Ni)
- Two big and simetric bowls
- One hole for taps
- Spillway division®

Optional Accessories



BG110S

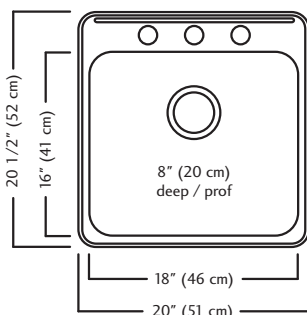
QSL 2020/8

best seller



The best seller for reduced spaces

- *Includes stainless steel drain(s)
- *Includes cardboard template to open the surface space for the sink
- *Comes in a cardboard box for protection



- Stainless Steel 18-8 (Cr-Ni)
- One square deep bowl
- 1 hole for taps

Optional Accessories



MB1610

CT11W

BG11S



C30S

DBR10S

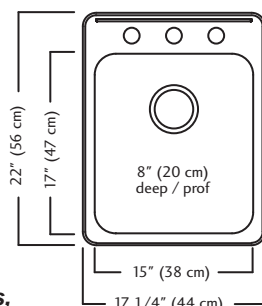
QSLA2217/8/1



(New model for QSL2217/8)

Ideal as a second sink for fruits and vegetables, or for the terrace

- *Includes stainless steel drain(s)
- *Includes cardboard template to open the surface space for the sink
- *Comes in a cardboard box for protection



- Stainless Steel 18-8 (Cr-Ni)
- One square deep bowl
- 1 hole for taps

Optional Accessories



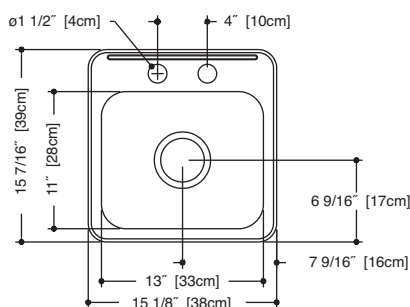
DBR10S

MB1809

BGA1517S

STEEL QUEEN - Inox AISI 304 18/8 20 gauge. Made in Canada.

QSL 1515/6

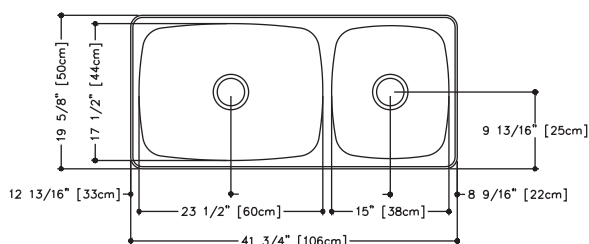


Ideal for european kitchen cabinets (51 cm depth)

- *Includes stainless steel drain(s)
- *Includes cardboard template to open the surface space for the sink
- *Comes in a cardboard box for protection

- Stainless Steel 18-8 (Cr-Ni)
- Two big and simetric bowls
- One hole for taps
- Spillway division®

QC 1942/12
QC 1942/7



- *Includes stainless steel drain(s)
- *Includes cardboard template to open the surface space for the sink
- *Comes in a cardboard box for protection

- Stainless Steel 18-8 (Cr-Ni)
- One big and one medium bowl
- One hole for tap
- Spillway division®
- Includes overflow in the 12" depth bowl

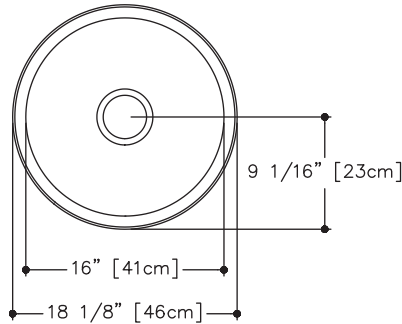
STEEL QUEEN - Inox AISI 304 18/8 20 gauge. Made in Canada

QSR 18/8



*The most elegant round sink
No brand can beat it*

- *Includes stainless steel drain(s)
- *Includes cardboard template to open the surface space for the sink
- *Comes in a cardboard box for protection



- Stainless Steel 18-8 (Cr-Ni)
- One round bowl

Optional Accessories



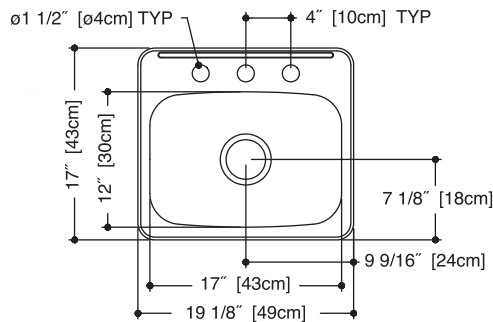
DB14S

QSL 1719/8



Ideal for the terrace or bar

- *Includes stainless steel drain(s)
- *Includes cardboard template to open the surface space for the sink
- *Comes in a cardboard box for protection



- Stainless Steel 18-8 (Cr-Ni)
- One rectangular deep bowl
- 1 hole for tap

Optional Accessories



MB1710



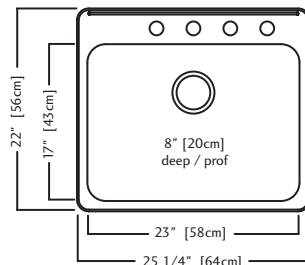
BG65S

QSLA2225/8/2



(New model for QSL225/8)

- *Includes stainless steel drain(s)
- *Includes cardboard template to open the surface space for the sink
- *Comes in a cardboard box for protection



- Stainless Steel 18-8 (Cr-Ni)
- One spacious and deep bowl
- 2 holes for taps

Optional Accessories



DBR10S



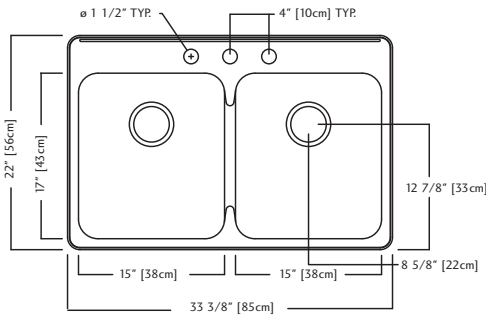
MB1809



BGA2317S

STEEL QUEEN - ACCESSORIZED SINKS

CDLA2233/8S/1



*Includes stainless steel drain(s)

*Includes cardboard template to open the surface space for the sink

*Comes in a cardboard box for protection

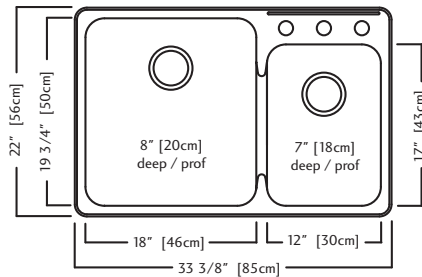
Included Accessories



Optional Accessories



CCM2233R/8S/1

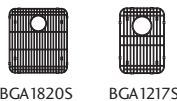


*Includes stainless steel drain(s)

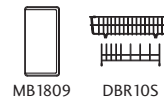
*Includes cardboard template to open the surface space for the sink

*Comes in a cardboard box for protection

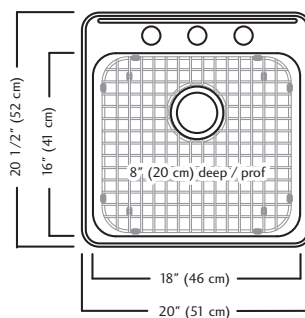
Included Accessories



Optional Accessories



CSLA2020/8S/1



*Includes stainless steel drain(s)

*Includes cardboard template to open the surface space for the sink

*Comes in a cardboard box for protection

Included Accessories

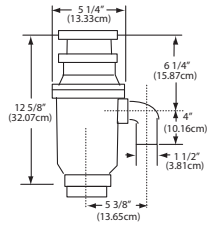


Optional Accessories



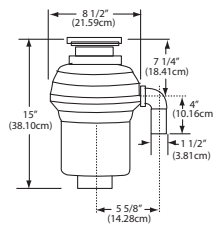
ACCESORIES

KWD33C1/EZ



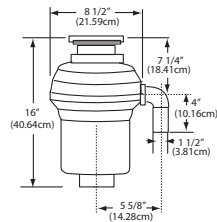
- **Continuous feed**
- 1/3 H.P. motor
- High-speed 1925 r.p.m. permanent magnet motor
- EZ mount installation system
- Stainless steel grinding components
- Includes factory installed power cord
- Safe for properly sized septic tanks
- For use with 110-120 volts/60hz current only
- Includes strainer stopper

KWD50C1/EZ



- **Continuous feed**
- 1/2 H.P. motor
- High-speed 2700 r.p.m. permanent magnet motor
- EZ mount installation system
- Stainless steel grinding components
- Sound insulated shell
- Includes factory installed power cord
- Safe for properly sized septic tanks
- For use with 110-120 volts/60hz current only
- Includes strainer stopper

KWD75C1/EZ



- **Continuous feed**
- 3/4 H.P. motor
- High-speed 2700 r.p.m. permanent magnet motor
- EZ mount installation system
- Stainless steel grinding components
- Sound insulated shell
- Includes factory installed power cord
- Safe for properly sized septic tanks
- For use with 110-120 volts/60hz current only
- Includes strainer stopper

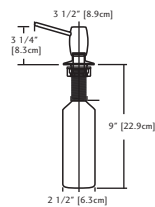
ACCESSORIES

KSD100



Soap Dispenser - Chrome

KSD150



Soap Dispenser - Satin Nickel

1130



Stainless steel strainer assembly with Easy Seal assembly basket, galvanized shell and tailpiece

1135



Stainless steel strainer assembly with polypropylene shell and tailpiece

ACCESORIES

MB20

Maple cutting board
19 3/4" x 16 1/4" x 1"
502 x 413 x 25 mm

MB1809

Cutting Board
18" x 9" x 1"
457 x 229 x 25 mm
FUN# 112.0183.343

MB100

Maple cutting board
24 11/16" x 11 15/16" x 1"
627 x 303 x 25 mm

MB1610

Maple cutting board
16 3/4" x 10 1/2" x 1"
425 x 267 x 25 mm
FUN# 112.0061.317

MB1710

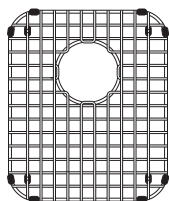
Maple cutting board
18" x 11" x 1"
418 x 297 x 25 mm

MB1612

Maple cutting board
16 7/16" x 11 11/16" x 1"
418 x 297 x 25 mm

ACCESORIES

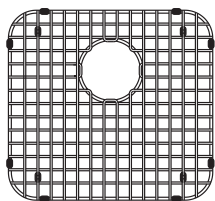
BG10S



Polished stainless steel wire bottom grids with opening for sink strainer

14 1/4" x 11 7/8" x 1"
362 x 302 x 25 mm
FUN#112.0044.785

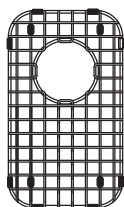
BG11S



Polished stainless steel wire bottom grids with opening for sink strainer

14 1/4" x 15 1/4" x 1"
362 x 387 x 25 mm
FUN#112.0044.786

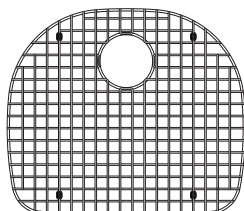
BG13S



Polished stainless steel wire bottom grids with opening for sink strainer

14 1/4" x 8 1/4" x 1"
362 x 210 x 25 mm
FUN#112.0055.507

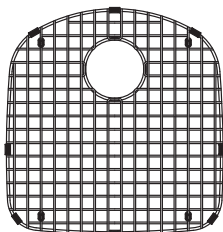
BG20S



Polished stainless steel wire bottom grids with opening for sink strainer

17 1/8 po x 19 9/16 po x 1 po
435 x 497 x 25 mm
FUN#112.0055.434

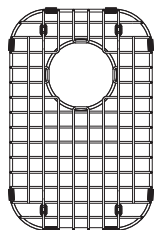
BG30S



Polished stainless steel wire bottom grids with opening for sink strainer

16 7/8" x 16 3/16" x 1"
429 x 411 x 25 mm
FUN#112.0055.435

BG35S

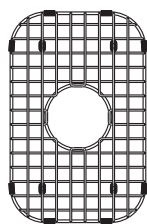


Polished stainless steel wire bottom grids with opening for sink strainer

14 1/4" x 8 1/2" x 1"
362 x 216 x 25 mm
FUN#112.0044.796

ACCESSORIES

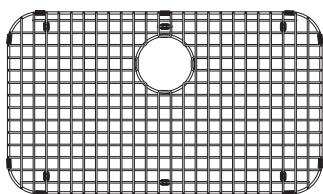
BG65S



Polished stainless steel wire bottom grids with opening for sink strainer

14 3/4" x 9 1/2" x 1"
375 x 241 x 25 mm
FUN#112.0044.791

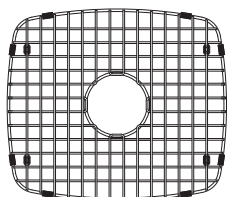
BG90S



Polished stainless steel wire bottom grids with opening for sink strainer

14 5/8" x 25 1/4" x 1"
371 x 641 x 25 mm
FUN#112.0044.794

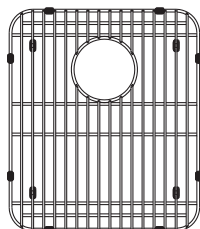
BG110S



Polished stainless steel wire bottom grids with opening for sink strainer

13 1/4" x 11 7/8" x 1"
337 x 302 x 25 mm
FUN#112.0040.526

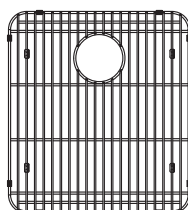
BGA1517S



Polished stainless steel wire bottom grids with opening for sink strainer

15" x 13" x 1"
381 x 330 x 25 mm
FUN#112.0174.872

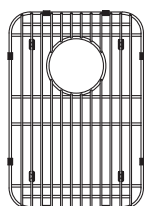
BGA1820S



Polished stainless steel wire bottom grids with opening for sink strainer

17 5/8" x 16" x 1"
448 x 406 x 25 mm
FUN#112.0174.877

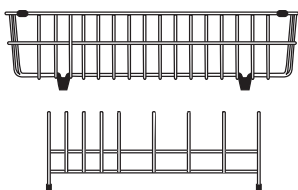
BGA1217S



Polished stainless steel wire bottom grids with opening for sink strainer

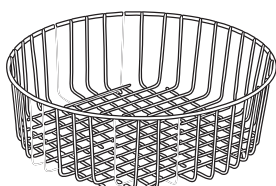
15" x 10 1/8" x 1"
381 x 257 x 25 mm
FUN#112.0174.874

ACCESSORIES

DBR10S

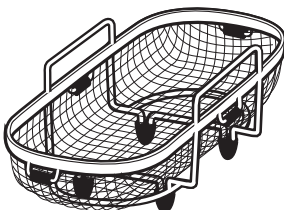
Stainless Drainer Basket
with black poly feet and side bumpers

14 5/8" x 12" x 3"
371 x 305 x 76 mm
FUN#112.0044.784

DB14S

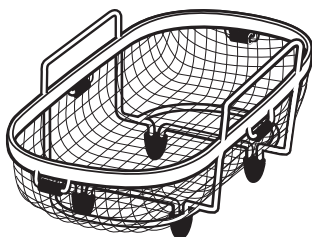
Stainless Drainer Basket
with black poly feet and side bumpers

14" diameter" x 5" high
356 mm diameter x 127 mm high
FUN#112.0018.954

C20S

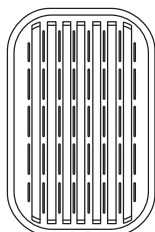
Stainless Mesh Colander
with black poly feet and side bumpers

13 1/4" x 6" x 2 1/2"
337 x 152 x 64 mm
FUN#112.0044.809

C30S

Stainless Mesh Colander
with black poly feet and side bumpers

15" x 9 1/2" x 2 1/2"
381 x 241 x 64 mm
FUN#112.0044.810

CT11W

ABS Drain Tray
White

16 7/8" x 10 7/8" x 7/8"
429 x 276 x 22 mm
FUN#112.0061.316
