






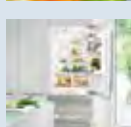
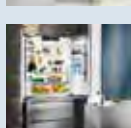
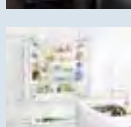
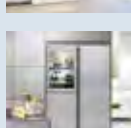
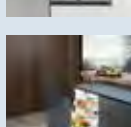

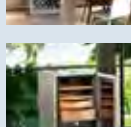
Life Tastes Better with a Liebherr



**LIEBHERR**

Quality, Design and Innovation



	The Liebherr Group	4
	Service and Warranty	6
	German Engineering	8
	Performance and Efficiency	10
	BioFresh	12
	Model Overview	17
	Freestanding/Semi Built-in	18
	Fully Integrated	50
	Built-in	76
	Undercounter	84
	Wine Cabinets	92
	Design & Lifestyle	112

# Family Owned – Global Success



Aerospace & Transportation Systems



Tower Cranes



Mobile Construction Cranes



Material Handling



Hotels



Maritime Cranes



Refrigeration & Freezing



Mining



Construction

Over 65 years of producing high quality products

Liebherr is a third-generation, family-owned company founded by Dr. Hans Liebherr in 1949 with the creation of the first ever tower crane. With over 65 years of success, Liebherr has become synonymous with the equipment needed to build homes, and the appliances within them.

One of the world's largest manufacturers of construction machinery, Liebherr has expanded to eleven divisions with a wide array of product areas, including: earthmoving, mining, mobile cranes, tower cranes, concrete technology, maritime cranes, aerospace and transportation systems, machine tools and automation systems, components, hotels, and refrigeration products.

Liebherr Group currently employs over 42,000 persons in more than 130 companies in over 50 countries worldwide. Liebherr Appliances is Europe's largest privately owned manufacturer of refrigerators and freezers for residential and commercial use, with an annual production of over 2.1 million units.

# Liebherr Appliances in North America



Liebherr in Miami, Florida, USA

Headquartered in Germany, Liebherr Appliances manufactures the widest range of European refrigeration and freezing products throughout the world. Liebherr's first steps into the Americas was in the early 1970's, later expanding Liebherr Appliances into North America in 2004.

Liebherr Appliances in North America is located in Miami, Florida in the United States, and Burlington, Ontario, in Canada.



Liebherr in Burlington, Ontario, Canada



## Liebherr Parts and Service for USA and Canada

Customer Service number for USA  
+1 (866) LIEBHERR (543-2437)

Customer Service number for Canada  
+1 (888) LIEBHERR (543-2437)

Visit our website:  
[home.liebherr.com](http://home.liebherr.com)

# Liebherr Warranty Plan



## Full Two-Year Warranty

For two (2) years from the date of original purchase, your Liebherr warranty covers all parts and labor to repair or replace any part of the product which proves to be defective in materials or workmanship.

## Full Five-Year Warranty

For five (5) years from the date of original purchase, your Liebherr warranty covers all parts and labor to repair or replace any components that prove to be defective in materials or workmanship in the Sealed System. The "Sealed System" refers to the compressor, condenser, evaporator, drier, and connecting tubing.

## Limited 6-12 Year Warranty

From the sixth (6<sup>th</sup>) through the twelfth (12<sup>th</sup>) year from the date of original purchase, your Liebherr warranty covers all parts that prove to be defective in materials or workmanship in the Sealed System (parts only).

# German Engineering



## Craftsmanship

- German and Austrian manufacturing
- Latest production processes
- High-quality materials
- Perfectly detailed finishes
- SuperQuiet operation

## BioFresh

- Versatile storage for long lasting freshness
- Retains healthy vitamins, aromas, and appetizing appearance of foods for significantly longer



## DuoCooling

- Independent cooling circuits for each compartment
- Superior performance and efficiency
- Better food preservation



# Performance and Efficiency



## ENERGY STAR® and Beyond

Liebherr refrigerators help reduce energy consumption and greenhouse emissions in an effort to reduce damaging effects on the environment, as well as to help consumers conserve energy and reduce energy costs. The entire range of North American appliances meet and exceed ENERGY STAR® ratings.

Fourteen (14) Liebherr models have earned the coveted ENERGY STAR® 'Most Efficient 2017' designation. This is the seventh year in a row that multiple Liebherr models have received this honorable distinction.



## ActiveGreen® Initiative

Liebherr is committed to finding greener ways to produce quality, sustainable products. Energy efficiency is at the core of our ActiveGreen® commitment, which is reflected in every aspect of our design and manufacturing process. In 2007, Liebherr became the first refrigeration manufacturer to meet RoHS compliance worldwide, including in North America.

## Leader in Green Manufacturing

Liebherr has an established history of responsible production initiatives with the goal of having the least damaging effect on the environment by significantly decreasing the use of chemicals, solvents and energy consumption. An industry trailblazer in green manufacturing, Liebherr Appliances utilizes progressive practices such as recovering and reutilizing energy to heat buildings, using 100% recyclable packaging, and using purified water to ensure that production processes are pollution free.

## Quality Standards

Liebherr Appliances are produced under the highest international quality standard, ISO 9001, and are compliant with the international environmental management standard, ISO 14001.

## Innovative Ideas

Liebherr integrates style, function and technology to create the best refrigeration products. BioFresh, SuperCool, SuperFrost, and DuoCooling are just a few examples of performance features that contribute to better food preservation.

## DuoCooling

DuoCooling provides superior performance and efficiency as well as better food preservation. The dual refrigeration system creates optimal conditions in both the refrigerator and freezer compartments which lengthens the shelf life of food items for a healthier lifestyle. DuoCooling preserves the flavors and textures of foods since there is no transfer of unwanted air, moisture, or smells between the two compartments.

## Experience Superior Food Freshness with BioFresh

Liebherr's BioFresh technology guarantees the perfect climate for superior, long-lasting freshness. BioFresh allows you to store fresh foods in specialized refrigerator compartments that offer optimal and individual environments for fruits and vegetables, fish, meat, and dairy products.

Different types of food require different climate conditions to stay fresh. Liebherr's BioFresh technology provides made-to-measure freshness thanks to a customizable interplay of temperature and humidity controls. The **DrySafe** drawer with low humidity is ideal for storing meat, fish and dairy products, while fruits and vegetables are best kept in the high humidity **HydroSafe**.



# Freshness Perfected with BioFresh

The key to achieving a healthy, balanced diet is by eating fresh, high-quality foods full of essential vitamins and minerals. The fresher your food is, the higher its nutritional content will be — boosting your metabolism and strengthening your immune system. Foods preserved in ideal storage temperatures and perfect air humidity will preserve their vitamins, nutrients, flavors, and aromas for far longer.

By customizing the humidity level of the BioFresh drawers, you can enjoy fresher, better tasting and nutrient-rich food significantly longer than in conventional refrigerators\*.



Cheese + 100 days



Carrots + 30 days



Asparagus + 8 days



Lettuce + 8 days



Grapes + 17 days



Meat + 6 days



Prawns + 1 day



Raspberries + 2 days



Artichokes + 7 days

\*As per an independent study testing BioFresh versus conventional refrigerators in optimal conditions.





HCB 1560



	Freestanding/ Semi Built-in	Fully Integrated	Built-in	Undercounter	Wine Cabinets	Design & Lifestyle
◀17"▶						XS 200 p. 114 WS 1200 p. 114
◀24"▶	CBS 1360 p. 22/46	HCB 1060 p. 54	WF 1061 p. 78	UPR 503 p. 86	HW 8000 p. 94	
	CS 1321 p. 24/46	HC 1080 p. 56	RB 1410 p. 78/80	RU 510 p. 88	HWgb 8300 p. 94	
	CS 1360B p. 26	HC 1070 p. 56	F 1051 p. 80	RO 510 p. 90	HWgw 8300 p. 94	
	CS 1210 p. 28	HC 1021 p. 56	BF 1061 p. 82		HW 4800 p. 96	
		HC 1030 p. 58	R 1410 p. 82		HWgb 5100 p. 96	
		HC 1050B p. 58			HWgw 5100 p. 96	
		HC 700B p. 60			HW 3000 p. 98	
		HF 861 p. 74			HWgb 3300 p. 98	
		HRB 1120 p. 74			HWgw 3300 p. 98	
					HWgw 1803 p. 100	
				HWgb 1803 p. 100		
				HWS 1800 p. 102		
				WUgb 3400 p. 104		
				WU 3400 p. 106		
				WU 4500 p. 108		
◀28"▶					WS 17800 p. 110	
◀30"▶	CBS 1660 p. 30/48	HCB 1560 p. 62				
	CBS 1661 p. 30/48	HCB 1561 p. 62				
	CS 1640B p. 32	HC 1550 p. 64				
	CS 1410 p. 34	HC 1551 p. 64				
	CS 1400R-IM p. 36	HC 1540 p. 64				
	CS 1401R-IM p. 36	HC 1541 p. 64				
CS 1400R p. 38						
◀36"▶	CBS 2062 p. 40	HCB 2062 p. 66				
	CS 2062 p. 42	HCB 2060 p. 68				
	CS 2060 p. 44	HCB 2061 p. 68				
	CS 2061 p. 44	HC 2062 p. 70				
		HC 2060 p. 72				
	HC 2061 p. 72					
◀48"▶	CS 1321+CBS 1360 p. 46	HF 861+HRB 1120 p. 74	WF 1061+RB 1410 p. 78 F 1051+RB 1410 p. 80 BF 1061+R 1410 p. 82			
◀60"▶	CBS 1661+CBS 1660 p. 48					



Freestanding/Semi Built-in

◀24"▶ ▶30"▶ ▶36"▶ ▶48"▶ ▶60"▶

## Exclusive cabinet-depth Freestanding/Semi Built-in

Design Options

Freestanding



Stainless steel side wall

Semi Built-in



# Key Benefits



**Smart Steel**

**SmartSteel:** Available on select freestanding/semi built-in models, SmartSteel finish significantly reduces the visibility of fingerprints, is easy to clean, and is scratch resistant. Simply wipe with a dry or damp cloth to maintain this beautiful exterior.



**Soft System**

**SoftSystem:** SoftSystem integrated into the appliance door cushions the door closure, eliminating slamming, even when shelves are with fully loaded. In freestanding appliances, the door will close automatically from an opening angle of approx. 45°.



**Bio Fresh**

**BioFresh:** BioFresh drawers provide a customizable interplay of temperature and humidity controls. The DrySafe drawer with low humidity is ideal for storing meat, fish, and dairy products, while fruits and vegetables are best kept in the high humidity HydroSafe.



**Super Cool Super Frost**

**SuperCool/SuperFrost:** Simply quick chill and/or freeze just-bought groceries to preserve optimal freshness and seal in flavors, textures, and essential vitamins and minerals.



**Vario Space**

**VarioSpace:** VarioSpace is Liebherr's practical solution to accommodating bulky items. All freezers include drawers and glass shelves that can be conveniently removed to create extra storage space when needed.



**Swing Line**

**SwingLine:** Liebherr freestanding appliances include a sleek, stainless steel SwingLine design with elegantly contoured edges, perfect for semi built-in installations.



**Stainless steel back wall:** The high-quality, stainless steel back wall is both eye-catching and highly functional. The stainless wall prevents foods from freezing up against the evaporator, ensuring that the back of the refrigerator is always drip and ice-free. Ventilation slits also help guarantee optimum temperature distribution.



**Bottle shelf:** The versatile glass/bottle shelf can be interchanged depending on your personal preference. Use the glass layer for additional shelf storage, or simply remove the glass plate to access the bottle rack where you can chill and store beverages.

Features shown are model dependent. Product features may vary.



The slim styling and urban design of the **CBS 1360** is the perfect appliance for small spaces, galley kitchens, or apartment living. This sleek 24" refrigerator-freezer includes unique features such as BioFresh technology, which helps foods retain their healthy vitamins, aromas, and appetizing appearance for significantly longer than in conventional refrigerators. The CBS 1360 also includes LED light columns inside the refrigerator which function as shelf support for the scratch resistant and easy-to-clean GlassLine shelves. Smart interior design features include a glass/bottle shelf, foldable glass shelf, gallon holders to maximize space, and a stainless steel back wall which prevents dripping and the build-up of ice. Liebherr's SmartSteel material on the door is scratch resistant and makes fingerprints virtually disappear.

Alternatively, the **CBS 1360** can be flawlessly built into kitchen cabinetry to fit personalized designs that reflect your lifestyle. Liebherr offers an exterior water filter accessory for the CBS 1360 which can be placed into the cabinetry above or beside the appliance.

**Possible Side-by-Side combination**

CS 1321 and CBS 1360

**CBS 1360 Premium**



**Energy consumption**

in 365 days kWh	480
Estimated Yearly Energy Cost in US \$*	58

**Capacity**

Total capacity cu.ft. (l)	11.9 (340)
Refrigerator comp. cu.ft. (l)	5.7 (246)
BioFresh comp. cu.ft. (l)	3.0 (85)
NoFrost Freezer comp. cu.ft. (l)	3.3 (94)

<b>Shipping weight lbs. (kg)</b>	231.5 (105)
<b>Climate rating</b>	SN-T
<b>Sound rating dB(A)**</b>	41
<b>Ice cube output lbs. (kg) / 24 h</b>	3.1 (1.4)
<b>Ice cube stock lbs. (kg)</b>	6.6 (3.0)
<b>Door hinges</b>	right, reversible

**Product dimensions**

in inch H/W/D	79 9/16" / 23 5/8" / 24 13/16"
in cm H/W/D	202/60/63

**Cut out dimensions**

in inch H/W/D	80" / 24 1/16" / 24 1/16"
in cm H/W/D	203.2/61/61

**Energy supply**

Voltage V/Hz	115/60
--------------	--------

Ventilation Requirements for installation per unit	200 cm <sup>2</sup> / 32 in <sup>2</sup>
--	--

**Accessories**

Water filter	7440 002
Add on water filter kit	9096 034
SBS kit	9901 555

\* Estimated energy cost will depend on utility rates and use. Estimated energy cost based on a national average electricity cost of 12 cents per kWh.

\*\* Noise level – sound power re 1pW – according to EN 60704-3.

24" Freestanding/Semi Built-in

The slim styling and urban design of the **CS 1321** left hinge refrigerator-freezer is the perfect appliance for small spaces, galley kitchens, or apartment living. While being one of the most energy efficient appliances in its class, this sleek 24" model includes unique features such as LED light columns inside the refrigerator which function as shelf support for the scratch resistant and easy-to-clean GlassLine shelves. Smart interior design features also include a foldable glass shelf, and a stainless steel back wall which prevents dripping and the build-up of ice. The exterior SmartSteel finish is scratch resistant, and makes fingerprints virtually disappear.

Alternatively, the **CS 1321** can be flawlessly built into kitchen cabinetry to fit personalized designs that reflect your lifestyle. Doors close automatically and gently thanks to our SoftSystem technology, which eliminates slamming even when shelves are fully loaded.

**Possible Side-by-Side combination**

CS 1321 and CBS 1360



**CS 1321 Premium**



**Energy consumption**

in 365 days kWh	380
Estimated Yearly Energy Cost in US \$*	46

**Capacity**

Total capacity cu.ft. (l)	12.7 (361)
Refrigerator comp. cu.ft. (l)	9.4 (267)
NoFrost Freezer comp. cu.ft. (l)	3.3 (94)

<b>Shipping weight lbs. (kg)</b>	222.7 (101)
----------------------------------	-------------

<b>Climate rating</b>	SN-T
-----------------------	------

<b>Sound rating dB(A)**</b>	42
-----------------------------	----

<b>Door hinges</b>	left, reversible
--------------------	------------------

**Product dimensions**

in inch H/W/D	79 9/16" / 23 5/8" / 24 13/16"
in cm H/W/D	202/60/63

**Cut out dimensions**

in inch H/W/D	80" / 24 1/16" / 24 1/16"
in cm H/W/D	203.2/61/61

**Energy supply**

Voltage V/Hz	115/60
--------------	--------

Ventilation Requirements for installation per unit	200 cm <sup>2</sup> / 32 in <sup>2</sup>
--	--

**Accessories**

SBS kit	9901 555
---------	----------



\* Estimated energy cost will depend on utility rates and use. Estimated energy cost based on a national average electricity cost of 12 cents per kWh.  
 \*\* Noise level – sound power re 1pW – according to EN 60704-3.



## Freestanding/Semi Built-in

◀24"▶

The slim styling and urban design of the **CS 1360B** refrigerator-freezer is the perfect appliance for small spaces, galley kitchens, or apartment living. This sleek 24" model includes smart interior design features like a foldable glass shelf, and a stainless steel back wall which prevents dripping and the build-up of ice. Liebherr's SmartSteel material on the door is scratch resistant and makes fingerprints virtually disappear. The automatic IceMaker with fixed water connection produces perfect half-moon crescent ice cubes, keeping a constant supply on hand for every occasion.

Alternatively, the **CS 1360B** can be flawlessly built into kitchen cabinetry to fit personalized designs that reflect your lifestyle.

### CS 1360B Comfort



#### Energy consumption

in 365 days kWh	480
Estimated Yearly Energy Cost in US \$*	58

#### Capacity

Total capacity cu.ft. (l)	12.7 (361)
Refrigerator comp. cu.ft. (l)	9.4 (267)
NoFrost Freezer comp. cu.ft. (l)	3.3 (94)
Shipping weight lbs. (kg)	218.3 (99)
Climate rating	SN-T
Sound rating dB(A)**	42
Ice cube output lbs. (kg) / 24 h	3.1 (1.4)
Ice cube stock lbs. (kg)	6.6 (3.0)
Door hinges	right, reversible

#### Product dimensions

in inch H/W/D	79 9/16" / 23 5/8" / 24 13/16"
in cm H/W/D	202/60/63

#### Cut out dimensions

in inch H/W/D	80" / 24 1/16" / 24 1/16"
in cm H/W/D	203.2/61/61

#### Energy supply

Voltage V/Hz	115/60
--------------	--------

Ventilation Requirements for installation per unit	200 cm <sup>2</sup> / 32 in <sup>2</sup>
--	--

#### Accessories

Water filter	7440 002
Add on water filter kit	9096 034
SBS kit	9901 555

\* Estimated energy cost will depend on utility rates and use. Estimated energy cost based on a national average electricity cost of 12 cents per kWh.

\*\* Noise level – sound power re 1pW – according to EN 60704-3.

The slim styling and urban design of the **CS 1210** make it the perfect appliance for small spaces, galley kitchens, and apartment living. This sleek, 24" refrigerator-freezer includes smart interior design features like an LED ceiling light, foldable glass shelf, and a stainless steel back wall which prevents dripping and the build-up of ice. The exterior SmartSteel finish is scratch resistant, and makes fingerprints virtually disappear.

Liebherr's DuoCooling system, with individual variable speed compressors, provides superior performance and efficiency, as well as advanced food preservation. The dual refrigeration system creates optimal conditions in both the refrigerator and freezer compartments, which lengthens the shelf life of foods for a healthier lifestyle. Individual silent cooling systems ensure accurate temperature and humidity controls so that your fresh foods never dry out.

**CS 1210 Comfort****Energy consumption**

in 365 days kWh	370
Estimated Yearly Energy Cost in US \$*	44

**Capacity**

Total capacity cu.ft. (l)	11.0 (314)
Refrigerator comp. cu.ft. (l)	7.8 (220)
NoFrost Freezer comp. cu.ft. (l)	3.3 (94)

<b>Shipping weight lbs. (kg)</b>	200.6 (91)
----------------------------------	------------

<b>Climate rating</b>	SN-T
-----------------------	------

<b>Sound rating dB(A)**</b>	42
-----------------------------	----

<b>Door hinges</b>	right, reversible
--------------------	-------------------

**Product dimensions**

in inch H/W/D	71 11/16" / 23 5/8" / 24 13/16"
in cm H/W/D	182/60/63

**Cut out dimensions**

in inch H/W/D	73" / 24 1/16" / 24 1/16"
in cm H/W/D	185.4/61/61

**Energy supply**

Voltage V/Hz	115/60
--------------	--------

Ventilation Requirements for installation per unit	200 cm <sup>2</sup> / 32 in <sup>2</sup>
--	--

**Accessories**

SBS kit	9901 555
---------	----------

\* Estimated energy cost will depend on utility rates and use. Estimated energy cost based on a national average electricity cost of 12 cents per kWh.

\*\* Noise level – sound power re 1pW – according to EN 60704-3.



The **CBS 1660** is the perfect solution for when your kitchen calls for a 30" appliance. This refrigerator-freezer includes unique features such as BioFresh technology, which helps foods retain their healthy vitamins, aromas, and appetizing appearance for significantly longer than in conventional refrigerators. Energy efficient LED lighting takes a starring role by illuminating the main compartment, and unique integrated LED lights sit on the bottom of the refrigerator door to shine down into the freezer drawers when opened.

Features such as a foldable glass shelf, gallon holders to maximize space, and stainless steel back wall make the interior of the **CBS 1660** as appealing as the beautiful exterior's ergonomic handles, beveled edges, and easy-to-clean SmartSteel finish.

#### Possible Side-by-Side combination

CBS 1661 and CBS 1660

#### CBS 1660 Premium



#### Energy consumption

in 365 days kWh	488
Estimated Yearly Energy Cost in US \$*	59

#### Capacity

Total capacity cu.ft. (l)	15 (424)
Refrigerator comp. cu.ft. (l)	7.1 (200)
BioFresh comp. cu.ft. (l)	3.6 (103)
NoFrost Freezer comp. cu.ft. (l)	4.3 (121)
Shipping weight lbs. (kg)	282.2 (128)
Climate rating	SN-T
Sound rating dB(A)**	41
Ice cube output lbs. (kg)/24 h	3.1 (1.4)
Ice cube stock lbs. (kg)	4.4 (2.0)
Door hinges	right, reversible

#### Product dimensions

in inch H/W/D	79 9/16" / 29 9/16" / 24 13/16"
in cm H/W/D	202/75/63

#### Cut out dimensions

in inch H/W/D	80" / 30" / 24 1/16"
in cm H/W/D	203.2/76.2/61

#### Energy supply

Voltage V/Hz	115/60
--------------	--------

#### This unit is also available as

**CBS 1661:** with left door hinges

Ventilation Requirements for installation per unit	200 cm <sup>2</sup> / 32 in <sup>2</sup>
--	--

#### Accessories

Water filter	7440 002
Add on water filter kit	9096 034
SBS kit	9901 555

\* Estimated energy cost will depend on utility rates and use. Estimated energy cost based on a national average electricity cost of 12 cents per kWh.

\*\* Noise level – sound power re 1pW – according to EN 60704-3.







The urban design of the **CS 1640B** is the perfect appliance for apartment living. While being one of the most energy efficient appliances in its class, the CS 1640B includes smart interior design features like a foldable glass shelf, electronic touch control panel, GlassLine shelving, and a stainless steel back wall which prevents dripping and the build-up of ice. The exterior SmartSteel finish is scratch resistant, and makes fingerprints virtually disappear.

Liebherr's DuoCooling system, with individual variable speed compressors, provides superior performance and efficiency, as well as advanced food preservation. The dual refrigeration system creates optimal conditions in both the refrigerator and freezer compartments, which lengthens the shelf life of foods for a healthier lifestyle. Individual silent cooling systems ensure accurate temperature and humidity controls so that your fresh foods never dry out.

Advantageously, this model eliminates the need for a water hook up as it includes a convenient 50 oz internal water tank for the IceMaker. Simply fill the tank with filtered water to produce perfect half-moon crescent ice cubes.

#### CS 1640B Comfort



Duo Cooling

Ice Maker

Soft System

Smart Steel



#### Energy consumption

in 365 days kWh	496
Estimated Yearly Energy Cost in US \$*	60

#### Capacity

Total capacity cu.ft. (l)	15.9 (452)
Refrigerator comp. cu.ft. (l)	11.7 (331)
NoFrost Freezer comp. cu.ft. (l)	4.3 (121)
Shipping weight lbs. (kg)	264.6 (120)
Climate rating	SN-T
Sound rating dB(A)**	42
Ice cube output lbs. (kg) / 24 h	3.1 (1.4)
Ice cube stock lbs. (kg)	4.4 (2.0)
Door hinges	right, reversible

#### Product dimensions

in inch H/W/D	79 9/16" / 29 9/16" / 24 13/16"
in cm H/W/D	202/75/63

#### Cut out dimensions

in inch H/W/D	80" / 30" / 24 1/16"
in cm H/W/D	203.2/76.2/61

#### Energy supply

Voltage V/Hz	115/60
--------------	--------

Ventilation Requirements for installation per unit	200 cm <sup>2</sup> / 32 in <sup>2</sup>
--	--

#### Accessories

SBS kit	9901 555
---------	----------

\* Estimated energy cost will depend on utility rates and use. Estimated energy cost based on a national average electricity cost of 12 cents per kWh.

\*\* Noise level – sound power re 1pW – according to EN 60704-3.



The 30" **CS 1410** refrigerator-freezer is the perfect appliance for smaller footprint installations, like in galley kitchens or apartment living. While being one of the most energy efficient appliances in its class, the CS 1410 includes smart interior design features like a foldable glass shelf, and a stainless steel back wall which prevents dripping and the build-up of ice. Liebherr's SmartSteel material on the door is scratch resistant and makes fingerprints virtually disappear, while doors close automatically and gently thanks to our SoftSystem technology, which eliminates slamming even when shelves are fully loaded.

Liebherr's DuoCooling system, with individual variable speed compressors, provides superior performance and efficiency, as well as advanced food preservation. The dual refrigeration system creates optimal conditions in both the refrigerator and freezer compartments, which lengthens the shelf life of foods for a healthier lifestyle. Individual silent cooling systems ensure accurate temperature and humidity controls so that your fresh foods never dry out.

**CS 1410 Comfort**

Duo Cooling

Soft System

Smart Steel

**Energy consumption**

in 365 days kWh	380
Estimated Yearly Energy Cost in US \$*	46

**Capacity**

Total capacity cu.ft. (l)	14.7 (417)
Refrigerator comp. cu.ft. (l)	11.7 (331)
NoFrost Freezer comp. cu.ft. (l)	3.0 (86)

<b>Shipping weight lbs. (kg)</b>	238.1 (108)
----------------------------------	-------------

<b>Climate rating</b>	SN-T
-----------------------	------

<b>Sound rating dB(A)**</b>	42
-----------------------------	----

<b>Door hinges</b>	right, reversible
--------------------	-------------------

**Product dimensions**

in inch H/W/D	73 1/4" / 29 9/16" / 24 13/16"
in cm H/W/D	186/75/63

**Cut out dimensions**

in inch H/W/D	73 13/16" / 30" / 24 1/16"
in cm H/W/D	187.4/76.2/61

**Energy supply**

Voltage V/Hz	115/60
--------------	--------

Ventilation Requirements for installation per unit	200 cm <sup>2</sup> / 32 in <sup>2</sup>
--	--

**Accessories**

SBS kit	9901 555
---------	----------

\* Estimated energy cost will depend on utility rates and use. Estimated energy cost based on a national average electricity cost of 12 cents per kWh.

\*\* Noise level – sound power re 1pW – according to EN 60704-3.





The 30" **CS 1400R-IM** refrigerator-freezer is the perfect appliance for installations of a smaller footprint with upper cabinets, while encompassing all of the great features and benefits of a Liebherr appliance. While being one of the most energy efficient appliances in its class, the CS 1400R-IM includes smart interior design features like a foldable glass shelf, and a stainless steel back wall which prevents dripping and the build-up of ice.

Liebherr's SmartSteel material on the door is scratch resistant and makes fingerprints virtually disappear, while doors close automatically and gently thanks to our SoftSystem technology, which eliminates slamming even when shelves are fully loaded. The automatic IceMaker with fixed water connection produces perfect half-moon crescent ice cubes, keeping a constant supply on hand for every occasion.

Liebherr offers an exterior water filter accessory for the **CS 1400R-IM** which can be placed into the cabinetry above or beside the appliance.

**CS 1400R-IM Comfort**



**Energy consumption**

in 365 days kWh	465
Estimated Yearly Energy Cost in US \$*	56

**Capacity**

Total capacity cu.ft. (l)	12.8 (363)
Refrigerator comp. cu.ft. (l)	9.8 (277)
NoFrost Freezer comp. cu.ft. (l)	3.0 (86)
<b>Shipping weight lbs. (kg)</b>	235.9 (107)
<b>Climate rating</b>	SN-T
<b>Sound rating dB(A)**</b>	42
<b>Ice cube output lbs. (kg) / 24 h</b>	3.1 (1.4)
<b>Ice cube stock lbs. (kg)</b>	5.5 (2.5)
<b>Door hinges</b>	right, reversible

**Product dimensions**

in inch H/W/D	66 3/16" / 29 9/16" / 24 13/16"
in cm H/W/D	168/75/63

**Cut out dimensions**

in inch H/W/D	67" / 30" / 24 1/16"
in cm H/W/D	170.1/76.2/61

**Energy supply**

Voltage V/Hz	115/60
--------------	--------

**This unit is also available as**

**CS 1401R-IM:** with left door hinges

Ventilation Requirements for installation per unit	200 cm <sup>2</sup> / 32 in <sup>2</sup>
--	--

**Accessories**

Water filter	7440 002
Add on water filter kit	9096 034
SBS kit	9901 555

\* Estimated energy cost will depend on utility rates and use. Estimated energy cost based on a national average electricity cost of 12 cents per kWh.

\*\* Noise level – sound power re 1pW – according to EN 60704-3.





The 30" **CS 1400R** refrigerator-freezer is the perfect appliance for installations of a smaller footprint with upper cabinets, while encompassing all of the great features and benefits of a Liebherr appliance. While being one of the most energy efficient appliances in its class, the CS 1400R includes smart interior design features like a foldable glass shelf, and a stainless steel back wall which prevents dripping and the build-up of ice. Liebherr's SmartSteel material on the door is scratch resistant and makes fingerprints virtually disappear, while doors close automatically and gently thanks to our SoftSystem technology, which eliminates slamming even when shelves are fully loaded.

Liebherr's DuoCooling system, with individual variable speed compressors, provides superior performance and efficiency, as well as advanced food preservation. The dual refrigeration system creates optimal conditions in both the refrigerator and freezer compartments, which lengthens the shelf life of foods for a healthier lifestyle. Individual silent cooling systems ensure accurate temperature and humidity controls so that your fresh foods never dry out.

#### CS 1400R Comfort



#### Energy consumption

in 365 days kWh	380
Estimated Yearly Energy Cost in US \$*	46

#### Capacity

Total capacity cu.ft. (l)	12.8 (363)
Refrigerator comp. cu.ft. (l)	9.8 (277)
NoFrost Freezer comp. cu.ft. (l)	3.0 (86)
Shipping weight lbs. (kg)	227.1 (103)

#### Climate rating

SN-T	
------	--

#### Sound rating dB(A)\*\*

42	
----	--

#### Door hinges

right, reversible	
-------------------	--

#### Product dimensions

in inch H/W/D	66 3/16" / 29 9/16" / 24 13/16"
in cm H/W/D	168 / 75 / 63

#### Cut out dimensions

in inch H/W/D	67" / 30" / 24 1/16"
in cm H/W/D	170.1 / 76.2 / 61

#### Energy supply

Voltage V/Hz	115/60
--------------	--------

Ventilation Requirements for installation per unit	200 cm <sup>2</sup> / 32 in <sup>2</sup>
--	--

#### Accessories

SBS kit	9901 555
---------	----------

\* Estimated energy cost will depend on utility rates and use. Estimated energy cost based on a national average electricity cost of 12 cents per kWh.

\*\* Noise level – sound power re 1pW – according to EN 60704-3.



The **CBS 2062** offers elegant French door styling, with self-closing double freezer drawers, available in 36" for freestanding/semi built-in designs. The CBS 2062 includes unique features such as BioFresh technology, which helps foods retain their healthy vitamins, aromas, and appetizing appearance for significantly longer than in conventional refrigerators. Outstanding LED lighting can be found on interior refrigerator columns and inside both BioFresh compartments, as well as inside the double freezer drawers. The automatic IceMaker with fixed water connection produces perfect half-moon crescent ice cubes, keeping a constant supply on hand for every occasion.

Liebherr's DuoCooling system, with individual variable speed compressors, provides superior performance and efficiency, as well as advanced food preservation. The dual refrigeration system creates optimal conditions in both the refrigerator and freezer compartments, which lengthens the shelf life of foods for a healthier lifestyle. Individual silent cooling systems ensure accurate temperature and humidity controls so that your fresh foods never dry out.

#### CBS 2062 PremiumPlus



#### Energy consumption

in 365 days kWh	528
Estimated Yearly Energy Cost in US \$*	63

#### Capacity

Total capacity cu.ft. (l)	18.8 (535)
Refrigerator comp. cu.ft. (l)	10.4 (365)
BioFresh comp. cu.ft. (l)	2.5 (69)
NoFrost Freezer comp. cu.ft. (l)	6.0 (170)
Shipping weight lbs. (kg)	396.8 (180)
Climate rating	SN-T
Sound rating dB(A)**	44
Ice cube output lbs. (kg) / 24 h	3.1 (1.4)
Ice cube stock lbs. (kg)	7.9 (3.6)
Door hinges	left / right

#### Product dimensions

in inch H/W/D	80 5/16" / 35 7/8" / 24 1/4"
in cm H/W/D	203.9/91/61.5

#### Cut out dimensions

in inch H/W/D	80 9/16" / 36 1/16" / 24 1/16"
in cm H/W/D	204.5/91.5/61

#### Energy supply

Voltage V/Hz	115/60
--------------	--------

#### Accessories

Water filter	7440 002
Upper grill for 84" cabinets	9900 199

\* Estimated energy cost will depend on utility rates and use. Estimated energy cost based on a national average electricity cost of 12 cents per kWh.

\*\* Noise level – sound power re 1pW – according to EN 60704-3.



The **CS 2062** offers elegant French door styling, with self-closing double freezer drawers, available in 36" for freestanding/semi built-in designs. Outstanding LED lighting can be found on interior refrigerator columns, which double as shelf support, as well as inside the freezer drawers. The automatic IceMaker with fixed water connection produces perfect half-moon crescent ice cubes, keeping a constant supply on hand for every occasion.

Liebherr's DuoCooling system, with individual variable speed compressors, provides superior performance and efficiency, as well as advanced food preservation. The dual refrigeration system creates optimal conditions in both the refrigerator and freezer compartments, which lengthens the shelf life of foods for a healthier lifestyle. Individual silent cooling systems ensure accurate temperature and humidity controls so that your fresh foods never dry out.

**CS 2062 PremiumPlus**



**Energy consumption**

in 365 days kWh	532
Estimated Yearly Energy Cost in US \$*	64

**Capacity**

Total capacity cu.ft. (l)	19.5 (552)
Refrigerator comp. cu.ft. (l)	13.5 (382)
NoFrost Freezer comp. cu.ft. (l)	6.0 (170)
<b>Shipping weight lbs. (kg)</b>	403.4 (183)
<b>Climate rating</b>	SN-T
<b>Sound rating dB(A)**</b>	44
<b>Ice cube output lbs. (kg) / 24 h</b>	3.1 (1.4)
<b>Ice cube stock lbs. (kg)</b>	7.9 (3.6)
<b>Door hinges</b>	left / right

**Product dimensions**

in inch H/W/D	80 5/16" / 35 7/8" / 24 1/4"
in cm H/W/D	203.9/91 / 61.5

**Cut out dimensions**

in inch H/W/D	80 9/16" / 36 1/16" / 24 1/16"
in cm H/W/D	204.5/91.5/61

**Energy supply**

Voltage V/Hz	115/60
--------------	--------

**Accessories**

Water filter	7440 002
Upper grill for 84" cabinets	9900 199

\* Estimated energy cost will depend on utility rates and use. Estimated energy cost based on a national average electricity cost of 12 cents per kWh.

\*\* Noise level – sound power re 1pW – according to EN 60704-3.





The 36" **CS 2060** refrigerator-freezer with single door refrigerator and self-closing double freezer drawers, fulfills both your design and storage needs. Outstanding LED lighting can be found on the ceiling and refrigerator side walls, which double as shelf support, as well as inside the freezer drawers. The fully extendable freezer drawers are designed with SoftTelescopic, which provides reliable self-retraction and soft closing. The automatic IceMaker with fixed water connection produces perfect half-moon crescent ice cubes, keeping a constant supply on hand for every occasion.

Liebherr's DuoCooling system, with individual variable speed compressors, provides superior performance and efficiency, as well as advanced food preservation. The dual refrigeration system creates optimal conditions in both the refrigerator and freezer compartments, which lengthens the shelf life of foods for a healthier lifestyle. Individual silent cooling systems ensure accurate temperature and humidity controls so that your fresh foods never dry out.

#### CS 2060 PremiumPlus



#### Energy consumption

in 365 days kWh	532
Estimated Yearly Energy Cost in US \$*	64

#### Capacity

Total capacity cu.ft. (l)	19.5 (552)
Refrigerator comp. cu.ft. (l)	13.5 (382)
NoFrost Freezer comp. cu.ft. (l)	6.0 (170)

Shipping weight lbs. (kg)	401.2 (182)
---------------------------	-------------

Climate rating	SN-T
----------------	------

Sound rating dB(A)**	44
----------------------	----

Ice cube output lbs. (kg) / 24 h	3.1 (1.4)
----------------------------------	-----------

Ice cube stock lbs. (kg)	7.9 (3.6)
--------------------------	-----------

Door hinges	right
-------------	-------

#### Product dimensions

in inch H/W/D	79 13/16" / 35 7/8" / 24 1/4"
---------------	-------------------------------

in cm H/W/D	202.7/91/61.5
-------------	---------------

#### Cut out dimensions

in inch H/W/D	80" / 35 7/8" / 24 1/16"
---------------	--------------------------

in cm H/W/D	203.2/91/61
-------------	-------------

#### Energy supply

Voltage V/Hz	115/60
--------------	--------

#### This unit is also available as

**CS 2061:** with left door hinges

#### Accessories

Water filter	7440 002
--------------	----------

Upper grill for 84" cabinets	9900 277
------------------------------	----------

SBS kit	9900 221
---------	----------

\* Estimated energy cost will depend on utility rates and use. Estimated energy cost based on a national average electricity cost of 12 cents per kWh.

\*\* Noise level – sound power re 1pW – according to EN 60704-3.



This 48" Side-by-Side combination joins flexibility with sleek design. Thanks to its stainless steel side walls, this combination can be featured as the centerpiece of your kitchen, or can be semi built-in to your kitchen cabinetry. With this combination, you can achieve a flushed, built-in look with freestanding appliances without the added steps and cost of built-in installations.

Composed of two ENERGY STAR® rated refrigerator-freezer models, **CS 1321** and **CBS 1360**, this combination provides flexible storage solutions within 4 full doors and 5 temperature zones. The CBS 1360 refrigerator includes unique features such as BioFresh technology, which helps foods retain their healthy vitamins, aromas, and appetizing appearance for significantly longer than in conventional refrigerators. Energy efficient LED lighting takes a starring role by illuminating the main compartments, and a unique integrated LED lights sit on the bottom of the refrigerator door to shine down into the freezer drawers when opened.

#### CS 1321 and CBS 1360 Premium

Bio Fresh Ice Maker Soft System Smart Steel



#### Capacity

Total capacity cu.ft. (l) 24.6 (701)

Refrigerator comp. cu.ft. (l) 15.0 (513)

BioFresh comp. cu.ft. (l) 3.0 (85)

NoFrost Freezer comp. cu.ft. (l) 6.6 (188)

Shipping weight lbs. (kg) 454.1 (206)

Climate rating SN-T

Ice cube output lbs. (kg)/24 h 3.1 (1.4)

Ice cube stock lbs. (kg) 6.6 (3.0)

Door hinges left, reversible / right, reversible

#### Product dimensions

in inch H/W/D 79 9/16" / 47 3/4" / 26"

in cm H/W/D 202/121.2/66

#### Cut out dimensions

in inch H/W/D 80" / 48" / 24 1/16"

in cm H/W/D 203.2/121.9/61

#### Energy supply

Voltage V/Hz 115/60

left appliance: **CS 1321**

Sound rating dB(A)\*\* 42

#### Energy consumption

in 365 days kWh 380

Estimated Yearly Energy Cost in US \$\* 46


right appliance: **CBS 1360**

Sound rating dB(A)\*\* 41

#### Energy consumption

in 365 days kWh 480

Estimated Yearly Energy Cost in US \$\* 58

Ventilation Requirements for installation per unit  200 cm<sup>2</sup> / 32 in<sup>2</sup>

Individual appliances are ENERGY STAR® rated

#### Accessories

Water filter 7440 002

Add on water filter kit 9096 034

SBS kit 9901 555

\* Estimated energy cost will depend on utility rates and use. Estimated energy cost based on a national average electricity cost of 12 cents per kWh.

\*\* Noise level – sound power re 1pW – according to EN 60704-3.



For individual model CS 1321



This 60" Side-by-Side combination joins flexibility with sleek design. Thanks to its stainless steel side walls, this combination can be featured as the centerpiece of your kitchen, or can be semi built-in into your kitchen cabinetry for a flush look. With this combination, you can achieve a flushed, built-in look with freestanding appliances without the added steps and cost of built-in installations.

Composed of two ENERGY STAR® 'Most Efficient 2017' rated refrigerator-freezer models, **CBS 1661** and **CBS 1660**, this combination provides flexible storage solutions within 4 full doors and 6 temperature zones. The individual appliances both include unique features such as BioFresh technology, which helps foods retain their healthy vitamins, aromas, and appetizing appearance for significantly longer than in conventional refrigerators. Energy efficient LED lighting takes a starring role by illuminating the main compartments, and unique integrated LED lights sit on the bottom of the refrigerator door to shine down into the freezer drawers when opened. The automatic IceMaker with fixed water connection produces perfect half-moon crescent ice cubes, keeping a constant supply on hand for every occasion.

#### CBS 1661 and CBS 1660 Premium



#### Capacity

Total capacity cu.ft. (l)	30.0 (848)
Refrigerator comp. cu.ft. (l)	14.2 (400)
BioFresh comp. cu.ft. (l)	7.2 (206)
NoFrost Freezer comp. cu.ft. (l)	8.6 (242)

**Shipping weight lbs. (kg)** 564.4 (256)

**Climate rating** SN-T

**Ice cube output lbs. (kg)/24 h** 3.1 (1.4)

**Ice cube stock lbs. (kg)** 4.4 (2.0)

**Door hinges** left, reversible / right, reversible

**Product dimensions**  
in inch H/W/D 79 9/16" / 58 3/8" / 26"  
in cm H/W/D 202/148.2/66

**Cut out dimensions**  
in inch H/W/D 80" / 60" / 24 1/16"  
in cm H/W/D 203.2/152.4/61

**Energy supply**  
Voltage V/Hz 115/60

right appliance: **CBS 1660**

**Sound rating dB(A)\*\*** 41

**Energy consumption**  
in 365 days kWh 488  
Estimated Yearly Energy Cost in US \$\* 59

left appliance: **CBS 1661**

**This unit is also available with left door hinge**  
Ventilation Requirements for installation per unit 200 cm<sup>2</sup> / 32 in<sup>2</sup>  
Individual appliances are ENERGY STAR® rated

#### Accessories

Water filter	7440 002
Add on water filter kit	9096 034
SBS kit	9901 555

\* Estimated energy cost will depend on utility rates and use. Estimated energy cost based on a national average electricity cost of 12 cents per kWh.

\*\* Noise level – sound power re 1pW – according to EN 60704-3.



For individual models CBS 1660 and CBS 1661



Fully Integrated

◀24"▶ ▶30"▶ ▶36"▶ ▶48"▶

## Key Benefits

The stylish answer to freshness. In custom kitchens, integrated appliances are the most stylish option available – they're totally out of sight. Built-in appliances fit harmoniously into a kitchen's design; yet there is no secret

of what lies within. Liebherr's integrated appliances are concealed behind cabinet doors allowing you to show off the materials, colors and design of your custom kitchen to full advantage.



**Glass  
Line**

**Door-on-door technology:** Allows custom panels to be affixed directly onto the appliance, concealing the appliance within custom kitchen cabinetry. The cabinet and the refrigerator door open as one, ensuring a wide range of design options and easy installation.

**GlassLine:** The elegant, yet tough, GlassLine shelves are scratch resistant and easy to clean, as well as dishwasher safe. These space saving shelves are designed for better organization of the contents of your refrigerator, and are completely adjustable to suit your needs.



**Soft  
System**

**SoftSystem:** SoftSystem eliminates slamming of the appliance door even when shelves are fully loaded, and close automatically from an opening angle of approx. 35°.



**LED**

**Light columns:** Premium appliances come with LED light columns, which incorporate multiple LED bulbs, evenly illuminating the interior of the refrigerator. The special satin-finish on the lighting cover, and soft brightening of the lights upon opening, give an elegant and high-class ambiance.

# Key Benefits



**Bio Fresh**

**BioFresh:** Foods stored at just over 32°F, and at the right humidity level, retain their nutrients, flavors, and color for far longer than if stored in conventional refrigerator compartments.



**Bio Cool**

**BioCool:** BioCool regulates humidity to keep fruits and vegetables fresher for longer. The drawer extends smoothly on either a roller system or on premium-quality telescopic rails, both of which guarantee ease-of-use, convenient access, and a perfect view of stored products. Humidity is regulated via a slider control.



**Super Cool** **Super Frost**

**SuperCool/SuperFrost:** Simply quick chill and/or freeze just-bought groceries to preserve optimum freshness and seal in flavors, textures, and maintain essential vitamins and minerals.



**Telescopic Rails**

**Freezer drawers:** Double freezer drawers mounted on telescopic rails offer plenty of storage space. A self-closing system for both drawers ensures an easy and convenient handling. The freezer drawers are perfectly illuminated by LED lights.



**Ice Maker**

**IceMaker:** Liebherr's automatic IceMaker produces perfect half-moon crescent ice cubes and keeps a constant supply on hand for every occasion.



**Gallon storage on door:** Liebherr refrigerators are designed to fit more cubic feet of your everyday life. The durable, yet elegant, GlassLine door racks easily hold gallon milk or juice on hand.



**Super Quiet**

**SuperQuiet:** Noise is kept to a minimum thanks to virtually silent, speed-controlled, and specially-absorbed compressors. Alongside a low noise cooling circuit, these features ensure exact performance, energy efficiency, and SuperQuiet operation.

Features shown are model dependent. Product features may vary.

The sophisticated, elegant European design of the 24" **HCB 1060** refrigerator-freezer is the perfect appliance for small spaces, galley kitchens, or apartment living. The HCB 1060 blends in beautifully with any kitchen cabinetry, providing diverse design options to fit your dream kitchen. Liebherr's door-on-door technology allows for custom paneling to be affixed directly onto the appliance door, ensuring that the cabinet and refrigerator door open as one, allowing for additional design options and easy installation. Liebherr's automatic IceMaker with fixed water connection produces crystal clear ice cubes, keeping a constant supply on hand for every occasion.

This seamless, cabinet-deep **HCB 1060** is slim in stature, yet full of innovative features such as BioFresh technology, which helps foods retain their healthy vitamins, aromas, and appetizing appearance for significantly longer than in conventional refrigerators. One of the BioFresh drawers includes Liebherr's FlexSystem storage solution, where fruits and vegetables can be clearly organized and separated, or stored according use-by date.

#### HCB 1060 Premium



#### Energy consumption

in 365 days kWh	475
Estimated Yearly Energy Cost in US \$*	57

#### Capacity

Total capacity cu.ft. (l)	8.7 (247)
Refrigerator comp. cu.ft. (l)	3.9 (179)
BioFresh comp. cu.ft. (l)	2.4 (68)
NoFrost Freezer comp. cu.ft. (l)	2.4 (68)
Shipping weight lbs. (kg)	193.1 (87.6)

#### Climate rating

SN-T	
------	--

#### Sound rating dB(A)\*\*

38	
----	--

#### Ice cube output lbs. (kg) / 24 h

1.8 (0.8)	
-----------	--

#### Ice cube stock lbs. (kg)

2.2 (1.0)	
-----------	--

#### Door hinges

right, reversible	
-------------------	--

#### Product dimensions

in inch H/W/D	69 11/16"+11/16" / 22 1/16" / 21 7/16"
---------------	--

in cm H/W/D	177+1.6/55.9/54.4
-------------	-------------------

#### Cut out dimensions (Cut out height does not include toe kick)

in inch H/W/D	69 13/16"-70 7/16" / 22 1/16"-22 13/16" / 21 11/16"
---------------	---

in cm H/W/D	177.2-178.8/56-57.8/55
-------------	------------------------

#### Energy supply

Voltage V/Hz	115/60
--------------	--------

Ventilation Requirements for installation per unit	200 cm <sup>2</sup> / 32 in <sup>2</sup>
--	--

#### Accessories

Hinge pin for door limitation	9096 214
-------------------------------	----------

\* Estimated energy cost will depend on utility rates and use. Estimated energy cost based on a national average electricity cost of 12 cents per kWh.

\*\* Noise level – sound power re 1pW – according to EN 60704-3.

24" Fully Integrated

The 24" **HC 1070** refrigerator-freezer blends in beautifully with any kitchen cabinetry, providing diverse design options to fit your dream kitchen. Liebherr's door-on-door technology allows for custom paneling to be affixed directly onto the appliance door, ensuring that the cabinet and refrigerator door open as one, allowing for additional design options and easy installation. The refrigerator panel can be matched to cabinetry heights of up to 80" or 84" for additional storage space over the refrigerator. The panel-ready doors close automatically and gently thanks to Liebherr's SoftSystem technology, which eliminates slamming even when shelves are fully loaded.

The **HC 1070** includes a BioCool drawer which regulates humidity via a slider control to help keep fruits and vegetables fresher for longer. Advantageously, this model eliminates the need for a plumbed water connection as it includes a convenient 50 oz internal water tank for the IceMaker. Simply fill the tank with filtered water to produce crystal clear ice cubes.

**HC 1070 Premium**



<b>Energy consumption</b>	
in 365 days kWh	475
Estimated Yearly Energy Cost in US \$*	57
<b>Capacity</b>	
Total capacity cu.ft. (l)	9.3 (264)
Refrigerator comp. cu.ft. (l)	6.9 (196)
NoFrost Freezer comp. cu.ft. (l)	2.4 (68)
<b>Shipping weight lbs. (kg)</b>	178.8 (81.1)
<b>Climate rating</b>	SN-T
<b>Sound rating dB(A)**</b>	38
<b>Ice cube output lbs. (kg) / 24 h</b>	1.8 (0.8)
<b>Ice cube stock lbs. (kg)</b>	2.2 (1.0)
<b>Door hinges</b>	right, reversible
<b>Product dimensions</b>	
in inch H/W/D	69 11/16" + 11/16" / 22 1/16" / 21 7/16"
in cm H/W/D	177 + 1.6 / 55.9 / 54.4
<b>Cut out dimensions</b> (Cut out height does not include toe kick)	
in inch H/W/D	69 13/16" - 70 7/16" / 22 1/16" - 22 13/16" / 21 11/16"
in cm H/W/D	177.2 - 178.8 / 56 - 57.8 / 55
<b>Energy supply</b>	
Voltage V/Hz	115/60

**This unit is also available as**

- HC 1021:** without IceMaker
- HC 1080:** with IceMaker with fixed water connection

Ventilation Requirements for installation per unit	200 cm² / 32 in²
--	------------------

**Accessories**

Hinge pin for door limitation	9096 214
-------------------------------	----------

\* Estimated energy cost will depend on utility rates and use. Estimated energy cost based on a national average electricity cost of 12 cents per kWh.  
 \*\* Noise level – sound power re 1pW – according to EN 60704-3.



24" Fully Integrated

The 24" **HC 1050B** refrigerator-freezer blends in beautifully with any kitchen cabinetry, providing diverse design options to fit your dream kitchen. Liebherr's door-on-door technology allows for custom paneling to be affixed directly onto the appliance door, ensuring that the cabinet and refrigerator door open as one, allowing for additional design options and easy installation. The refrigerator panel can be matched to cabinetry heights of up to 80" or 84" high for additional storage space over the refrigerator.

The **HC 1050B** includes a BioCool drawer which regulates humidity via a slider control to help keep fruits and vegetables fresher for longer. Liebherr's automatic IceMaker with fixed water connection produces crystal clear ice cubes, keeping a constant supply on hand for every occasion.

HC 1050B Comfort



Energy consumption	
in 365 days kWh	475
Estimated Yearly Energy Cost in US \$*	57
Capacity	
Total capacity cu.ft. (l)	9.3 (264)
Refrigerator comp. cu.ft. (l)	6.9 (196)
NoFrost Freezer comp. cu.ft. (l)	2.4 (68)
Shipping weight lbs. (kg)	178.1 (80.8)
Climate rating	SN-T
Sound rating dB(A)**	38
Ice cube output lbs. (kg)/24 h	1.8 (0.8)
Ice cube stock lbs. (kg)	2.2 (1.0)
Door hinges	right, reversible

Product dimensions	
in inch H/W/D	69 11/16" + 11/16" / 22 1/16" / 21 7/16"
in cm H/W/D	177 + 1.6 / 55.9 / 54.4
Cut out dimensions (Cut out height does not include toe kick)	
in inch H/W/D	69 13/16" - 70 7/16" / 22 1/16" - 22 13/16" / 21 11/16"
in cm H/W/D	177.2 - 178.8 / 56 - 57.8 / 55

Energy supply	
Voltage V/Hz	115/60

This unit is also available as  
**HC 1030:** without IceMaker

Ventilation Requirements for installation per unit	200 cm <sup>2</sup> / 32 in <sup>2</sup>
--	--

Accessories	
Hinge pin for door limitation	9096 214

\* Estimated energy cost will depend on utility rates and use. Estimated energy cost based on a national average electricity cost of 12 cents per kWh.  
 \*\* Noise level – sound power re 1pW – according to EN 60704-3.



Measuring 48" high, the **HC 700B** is the ideal solution for smaller or secondary kitchens. Its interior design allows for maximum flexibility and optimal use of space thanks to GlassLine shelving, with robust satin-finished safety glass, and adjustable bottle racks for secure storage. The HC 700B is as quiet as 37 dB(A) – quiet enough for a theater or great room.

The **HC 700B** provides the perfect solution for cooling and freezing in compact spaces. This single-door refrigerator comes equipped with a 4-star freezer compartment, which reaches temperatures of 0°F and lower, ensuring that food is frozen with all of its vitamins and minerals for long term preservation.

#### HC 700B Comfort



ADA  
Compliant



#### Energy consumption

in 365 days kWh	287
Estimated Yearly Energy Cost in US \$*	34

#### Capacity

Total capacity cu.ft. (l)	7.1 (201)
Refrigerator comp. cu.ft. (l)	6.5 (185)
Freezer comp. cu.ft. (l)	0.6 (16)

Shipping weight lbs. (kg)	106 (48.1)
---------------------------	------------

Climate rating	ST
----------------	----

Sound rating dB(A)**	37
----------------------	----

Door hinges	right, reversible
-------------	-------------------

#### Product dimensions

in inch H/W/D	48"+11/16" / 21 5/16" / 21 7/16"
in cm H/W/D	121.8+1.6/54/54.4

#### Cut out dimensions (Cut out height does not include toe kick)

in inch H/W/D	48 1/16"-48 11/16" / 22 1/16"-22 13/16" / 21 11/16"
in cm H/W/D	122-123.6/56-57.8/55

#### Energy supply

Voltage V/Hz	115/60
--------------	--------

Ventilation Requirements for installation per unit	200 cm <sup>2</sup> / 32 in <sup>2</sup>
--	--

\* Estimated energy cost will depend on utility rates and use. Estimated energy cost based on a national average electricity cost of 12 cents per kWh.

\*\* Noise level – sound power re 1pW – according to EN 60704-3.

30" Fully Integrated

Hidden away behind custom cabinetry or shown off with optional Liebherr designed stainless steel panels, the stylish and sleek 30" fully integrated HCB 1560 refrigerator-freezer offers impressive performance features and design flexibility. The smart DuoCooling system, with individual variable speed compressors, ensures that there is no air exchange between the refrigerator and freezer compartments, guaranteeing that food won't dry out, and that the freezer is always ice-free.

Liebherr's BioFresh technology helps foods retain their healthy vitamins, aromas, and appetizing appearance for significantly longer than in conventional refrigerators. Each BioFresh drawer can be adjusted individually, and provides ideal humidity for versatile storage solutions. The automatic IceMaker with fixed water connection produces perfect half-moon crescent ice cubes, keeping constant supply on hand for every occasion.

HCB 1560 PremiumPlus



Energy consumption

in 365 days kWh	507
Estimated Yearly Energy Cost in US \$*	61

Capacity

Total capacity cu.ft. (l)	14.1 (400)
Refrigerator comp. cu.ft. (l)	7.7 (278)
BioFresh comp. cu.ft. (l)	2.1 (60)
NoFrost Freezer comp. cu.ft. (l)	4.3 (122)

Shipping weight lbs. (kg)	359.3 (163)
---------------------------	-------------

Climate rating	SN-T
----------------	------

Sound rating dB(A)**	42
----------------------	----

Ice cube output lbs. (kg) / 24 h	3.1 (1.4)
----------------------------------	-----------

Ice cube stock lbs. (kg)	7.9 (3.6)
--------------------------	-----------

Door hinges	right, reversible
-------------	-------------------

Product dimensions

in inch H/W/D	79 13/16" / 29 13/16" / 24 1/16"
---------------	----------------------------------

in cm H/W/D	202.7/75.7/61
-------------	---------------

Cut out dimensions

in inch H/W/D	80" / 30" / 24 1/16"
---------------	----------------------

in cm H/W/D	203.2/76.2/61
-------------	---------------

Energy supply

Voltage V/Hz	115/60
--------------	--------

This unit is also available as

HCB 1561: with left door hinges

Accessories

Stainless steel panels refr. 80"	9900 287
Stainless steel panels refr. 84"	9900 285
Stainless steel panels freezers	9900 283
Stainless steel round handles	9900 279
Aluminum oval handles	9900 281
SBS kit	9900 219
Water filter	7440 002
Hinge pin for door limitation	9096 699

\* Estimated energy cost will depend on utility rates and use. Estimated energy cost based on a national average electricity cost of 12 cents per kWh.  
 \*\* Noise level – sound power re 1pW – according to EN 60704-3.





30" Fully Integrated

The 30" **HC 1550** refrigerator-freezer blends in beautifully with any kitchen cabinetry, providing diverse design options to fit your dream kitchen. Liebherr's door-on-door technology allows for custom paneling to be affixed directly onto the appliance door, ensuring that the cabinet and refrigerator door open as one, allowing for additional design options and easy installation.

Double freezer drawers mounted on smooth telescopic rails offer more than 4 cubic feet of storage space, along with convenient handling and viewing of food stored. The automatic IceMaker with fixed water connection produces perfect half-moon crescent ice cubes, keeping a constant supply on hand for every occasion.

HC 1550 Premium



Energy consumption

in 365 days kWh	507
Estimated Yearly Energy Cost in US \$*	61

Capacity

Total capacity cu.ft. (l)	14.1 (400)
Refrigerator comp. cu.ft. (l)	9.8 (278)
NoFrost Freezer comp. cu.ft. (l)	4.3 (122)

Shipping weight lbs. (kg)	352.7 (160)
---------------------------	-------------

Climate rating	SN-T
----------------	------

Sound rating dB(A)**	42
----------------------	----

Ice cube output lbs. (kg) / 24 h	3.1 (1.4)
----------------------------------	-----------

Ice cube stock lbs. (kg)	7.9 (3.6)
--------------------------	-----------

Door hinges	right
-------------	-------

Product dimensions

in inch H/W/D	79 13/16" / 29 13/16" / 24 1/16"
in cm H/W/D	202.7 / 75.7 / 61

Cut out dimensions

in inch H/W/D	80" / 30" / 24 1/16"
in cm H/W/D	203.2 / 76.2 / 61

Energy supply

Voltage V/Hz	115/60
--------------	--------

This unit is also available as

HC 1551: with left door hinges

HC 1540: with IceMaker and 50 oz water tank

HC 1541: with IceMaker and 50 oz water tank; door hinges left

Accessories

Stainless steel panels refr. 80"	9900 287
Stainless steel panels refr. 84"	9900 285
Stainless steel panels freezers	9900 283
Stainless steel round handles	9900 279
Aluminum oval handles	9900 281
SBS kit	9900 219
Water filter	7440 002

\* Estimated energy cost will depend on utility rates and use. Estimated energy cost based on a national average electricity cost of 12 cents per kWh.

\*\* Noise level – sound power re 1pW – according to EN 60704-3.





## Fully Integrated

36"

The **HCB 2062** offers elegant French door styling, with self-closing double freezer drawers, available in 36" design for custom kitchens. Choose from the fully integrated HCB 2062 concealed behind custom cabinetry or the professional aesthetics of stainless steel panels. The HCB 2062 includes BioFresh technology, which helps foods retain their healthy vitamins, aromas, and appetizing appearance for significantly longer than in conventional refrigerators. Standard accessories for this series are available for adapting to 80" or 84" high installation requirements. The automatic IceMaker with fixed water connection produces perfect half-moon crescent ice cubes, keeping a constant supply on hand for every occasion.

Liebherr's DuoCooling system, with individual variable speed compressors, provides superior performance and efficiency, as well as advanced food preservation. The dual refrigeration system creates optimal conditions in both the refrigerator and freezer compartments, which lengthens the shelf life of foods for a healthier lifestyle. Individual silent cooling systems ensure accurate temperature and humidity controls so that your fresh foods never dry out.

### HCB 2062 PremiumPlus



#### Energy consumption

in 365 days kWh	556
Estimated Yearly Energy Cost in US \$*	67

#### Capacity

Total capacity cu.ft. (l)	18.9 (535)
Refrigerator comp. cu.ft. (l)	10.4 (365)
BioFresh comp. cu.ft. (l)	2.5 (69)
NoFrost Freezer comp. cu.ft. (l)	6.0 (170)

<b>Shipping weight lbs. (kg)</b>	<b>383.6 (174)</b>
----------------------------------	--------------------

<b>Climate rating</b>	<b>SN-T</b>
-----------------------	-------------

<b>Sound rating dB(A)**</b>	<b>43</b>
-----------------------------	-----------

<b>Ice cube output lbs. (kg) / 24 h</b>	<b>3.1 (1.4)</b>
---	------------------

<b>Ice cube stock lbs. (kg)</b>	<b>7.9 (3.6)</b>
---------------------------------	------------------

<b>Door hinges</b>	<b>left / right</b>
--------------------	---------------------

#### Product dimensions

in inch H/W/D	79 13/16" / 35 7/8" / 24 1/16"
---------------	--------------------------------

in cm H/W/D	202.7/91/61
-------------	-------------

#### Cut out dimensions

in inch H/W/D	80" / 36 1/16" / 24 5/8"
---------------	--------------------------

in cm H/W/D	203.2/91.5/62.5
-------------	-----------------

#### Energy supply

Voltage V/Hz	115/60
--------------	--------

#### Accessories

Stainless steel panels refr. 80"	9900 337
Stainless steel panels refr. 84"	9900 335
Stainless steel panels freezers	9900 323
Stainless steel round handles	9900 339
Aluminum oval handles	9900 513
Water filter	7440 002
Hinge pin for door limitation	9096 214

\* Estimated energy cost will depend on utility rates and use. Estimated energy cost based on a national average electricity cost of 12 cents per kWh.

\*\* Noise level – sound power re 1pW – according to EN 60704-3.

Show off your custom kitchen design with the stylish, fully integrated refrigerator-freezer **HCB 2060**. Liebherr's BioFresh technology helps foods retain their healthy vitamins, aromas, and appetizing appearance for significantly longer than in conventional refrigerators. Outstanding LED lighting can be found on the ceiling and refrigerator side walls, which double as shelf support, as well as inside the double freezer drawers. The fully extendable freezer drawers are designed with SoftTelescopic, which provides reliable self-retraction perfect half-moon crescent ice cubes, keeping a constant supply on hand for every occasion.

Liebherr's DuoCooling system, with individual variable speed compressors, provides superior performance and efficiency, as well as advanced food preservation. The dual refrigeration system creates optimal conditions in both the refrigerator and freezer compartments, which lengthens the shelf life of foods for a healthier lifestyle.

**HCB 2060 PremiumPlus****Energy consumption**

in 365 days kWh	556
Estimated Yearly Energy Cost in US \$*	67

**Capacity**

Total capacity cu.ft. (l)	18.9 (535)
Refrigerator comp. cu.ft. (l)	10.4 (365)
BioFresh comp. cu.ft. (l)	2.5 (69)
NoFrost Freezer comp. cu.ft. (l)	6.0 (170)

<b>Shipping weight lbs. (kg)</b>	392.4 (178)
----------------------------------	-------------

<b>Climate rating</b>	SN-T
-----------------------	------

<b>Sound rating dB(A)**</b>	43
-----------------------------	----

<b>Ice cube output lbs. (kg) / 24 h</b>	3.1 (1.4)
---	-----------

<b>Ice cube stock lbs. (kg)</b>	7.9 (3.6)
---------------------------------	-----------

<b>Door hinges</b>	right
--------------------	-------

**Product dimensions**

in inch H/W/D	79 13/16" / 35 7/8" / 24 1/16"
in cm H/W/D	202.7/91/61

**Cut out dimensions**

in inch H/W/D	80" / 36 1/16" / 24 5/8"
in cm H/W/D	203.2/91.5/62.5

**Energy supply**

Voltage V/Hz	115/60
--------------	--------

**This unit is also available as**

**HCB 2061:** with left door hinges

**Accessories**

Stainless steel panels refr. 80"	9900 333
Stainless steel panels refr. 84"	9900 331
Stainless steel panels freezers	9900 323
Stainless steel round handles	9900 327
Aluminum oval handles	9900 329
SBS kit	9900 183
Water filter	7440 002
Hinge pin for door limitation	9096 214

\* Estimated energy cost will depend on utility rates and use. Estimated energy cost based on a national average electricity cost of 12 cents per kWh.

\*\* Noise level – sound power re 1pW – according to EN 60704-3.

36" Fully Integrated

The **HC 2062** offers elegant French door styling, with self-closing double freezer drawers, available in 36" design for custom kitchens. Choose from the fully integrated HC 2062 concealed behind custom cabinetry or the professional aesthetics of stainless steel panels. Standard accessories for this series are available for adapting to 80" or 84" high installation requirements. The automatic IceMaker with fixed water connection produces perfect half-moon crescent ice cubes, keeping constant supply on hand for every occasion.

Liebherr's DuoCooling system, with individual variable speed compressors, provides superior performance and efficiency, as well as advanced food preservation. The dual refrigeration system creates optimal conditions in both the refrigerator and freezer compartments, which lengthens the shelf life of foods for a healthier lifestyle. Individual silent cooling systems ensure accurate temperature and humidity controls so that your fresh foods never dry out.

HC 2062 PremiumPlus



Energy consumption

in 365 days kWh	562
Estimated Yearly Energy Cost in US \$*	67

Capacity

Total capacity cu.ft. (l)	19.5 (552)
Refrigerator comp. cu.ft. (l)	13.5 (382)
NoFrost Freezer comp. cu.ft. (l)	6.0 (170)

Shipping weight lbs. (kg)	392.4 (178)
---------------------------	-------------

Climate rating	SN-T
----------------	------

Sound rating dB(A)**	44
----------------------	----

Ice cube output lbs. (kg)/24 h	3.1 (1.4)
--------------------------------	-----------

Ice cube stock lbs. (kg)	7.9 (3.6)
--------------------------	-----------

Door hinges	left/right
-------------	------------

Product dimensions

in inch H/W/D	79 13/16" / 36" / 24 1/16"
---------------	----------------------------

in cm H/W/D	202.7/91.4/61
-------------	---------------

Cut out dimensions

in inch H/W/D	80"-80 1/16" / 36 1/16" / 24 5/8"
---------------	-----------------------------------

in cm H/W/D	203.2-203.3/91.5/62.5
-------------	-----------------------

Energy supply

Voltage V/Hz	115/60
--------------	--------

Accessories

Stainless steel panels refr. 80"	9900 337
Stainless steel panels refr. 84"	9900 335
Stainless steel panels freezers	9900 323
Stainless steel round handles	9900 339
Aluminum oval handles	9900 513
Water filter	7440 002
Hinge pin for door limitation	9096 214

\* Estimated energy cost will depend on utility rates and use. Estimated energy cost based on a national average electricity cost of 12 cents per kWh.  
 \*\* Noise level – sound power re 1pW – according to EN 60704-3.





The 36" **HC 2060** refrigerator-freezer with single refrigerator door and self-closing double freezer drawers, fulfills both your design and storage needs. Outstanding LED lighting can be found on the ceiling and refrigerator side walls, which double as shelf support, as well as inside the freezer drawers. The fully extendable freezer drawers are designed with SoftTelescopic, which provides reliable self-retraction and soft closing. The automatic IceMaker with fixed water connection produces perfect half-moon crescent ice cubes, keeping a constant supply on hand for every occasion.

Liebherr's DuoCooling system, with individual variable speed compressors, provides superior performance and efficiency, as well as advanced food preservation. The dual refrigeration system creates optimal conditions in both the refrigerator and freezer compartments, which lengthens the shelf life of foods for a healthier lifestyle. Individual silent cooling systems ensure accurate temperature and humidity controls so that your fresh foods never dry out.

#### HC 2060 PremiumPlus



#### Energy consumption

in 365 days kWh	562
Estimated Yearly Energy Cost in US \$*	67

#### Capacity

Total capacity cu.ft. (l)	19.5 (552)
Refrigerator comp. cu.ft. (l)	13.5 (382)
NoFrost Freezer comp. cu.ft. (l)	6.0 (170)

<b>Shipping weight lbs. (kg)</b>	394.6 (179)
----------------------------------	-------------

<b>Climate rating</b>	SN-T
-----------------------	------

<b>Sound rating dB(A)**</b>	44
-----------------------------	----

<b>Ice cube output lbs. (kg) / 24 h</b>	3.1 (1.4)
---	-----------

<b>Ice cube stock lbs. (kg)</b>	7.9 (3.6)
---------------------------------	-----------

<b>Door hinges</b>	right, reversible
--------------------	-------------------

#### Product dimensions

in inch H/W/D	79 13/16" / 35 7/8" / 24 1/16"
in cm H/W/D	202.7/91/61

#### Cut out dimensions

in inch H/W/D	80" / 36 1/16" / 24 5/8"
in cm H/W/D	203.2/91.5/62.5

#### Energy supply

Voltage V/Hz	115/60
--------------	--------

#### This unit is also available as

**HC 2061:** with left door hinges

#### Accessories

Stainless steel panels refr. 80"	9900 333
Stainless steel panels refr. 84"	9900 331
Stainless steel panels freezers	9900 323
Stainless steel round handles	9900 327
Aluminum oval handles	9900 329
SBS kit	9900 183
Water filter	7440 002
Hinge pin for door limitation	9096 214

\* Estimated energy cost will depend on utility rates and use. Estimated energy cost based on a national average electricity cost of 12 cents per kWh.

\*\* Noise level – sound power re 1pW – according to EN 60704-3.

Liebherr's 48" Side-by-Side combination, made of the 24" HRB 1120 fully integrated refrigerator with BioFresh and the 24" HF 861 fully integrated freezer with IceMaker, is the perfect combination for any kitchen.

## HF 861 and HRB 1120 Premium



left appliance:		HF 861
<b>Energy consumption</b>		
in 365 days kWh		439
Estimated Yearly Energy Cost in US \$*		53
<b>Capacity</b>		
Total capacity cu.ft. (l)		7.8 (220)
NoFrost Freezer comp. cu.ft. (l)		7.8 (220)
Shipping weight lbs. (kg)		183 (83)
Climate rating		SN-T
Sound rating dB(A)**		38
Ice cube output lbs. (kg) / 24 h		1.8 (0.8)
Ice cube stock lbs. (kg)		3.3 (1.5)
Door hinges		left, reversible
<b>Product dimensions</b>		
in inch H/W/D		69 11/16"+11/16" / 22 1/16" / 21 7/16"
in cm H/W/D		177+1.6/55.9/54.4
<b>Cut out dimensions</b> (Cut out height does not include toe kick)		
in inch H/W/D		69 13/16"-70 7/16" / 22 1/16"-22 13/16" / 21 11/16"
in cm H/W/D		177.2-178.8/56-57.8/55
<b>Energy supply</b>		
Voltage V/Hz		115/60

right appliance:		HRB 1120
<b>Energy consumption</b>		
in 365 days kWh		283
Estimated Yearly Energy Cost in US \$*		34
<b>Capacity</b>		
Total capacity cu.ft. (l)		10.8 (308)
Refrigerator comp. cu.ft. (l)		7.6 (308)
BioFresh comp. cu.ft. (l)		3.3 (92)
Shipping weight lbs. (kg)		166.4 (75.5)
Climate rating		SN-T
Sound rating dB(A)**		33
Door hinges		right, reversible
<b>Product dimensions</b>		
in inch H/W/D		69 11/16"+11/16" / 22 1/16" / 21 7/16"
in cm H/W/D		177+1.6/55.9/54.4
<b>Cut out dimensions</b> (Cut out height does not include toe kick)		
in inch H/W/D		69 13/16"-70 7/16" / 22 1/16"-22 13/16" / 21 11/16"
in cm H/W/D		177.2-178.8/56-57.8/55
<b>Energy supply</b>		
Voltage V/Hz		115/60

Ventilation Requirements for installation per unit 200 cm<sup>2</sup> / 32 in<sup>2</sup>  
Individual appliances are ENERGY STAR® rated

## Accessories

Water filter	7440 002
Hinge pin for door limitation	9096 214

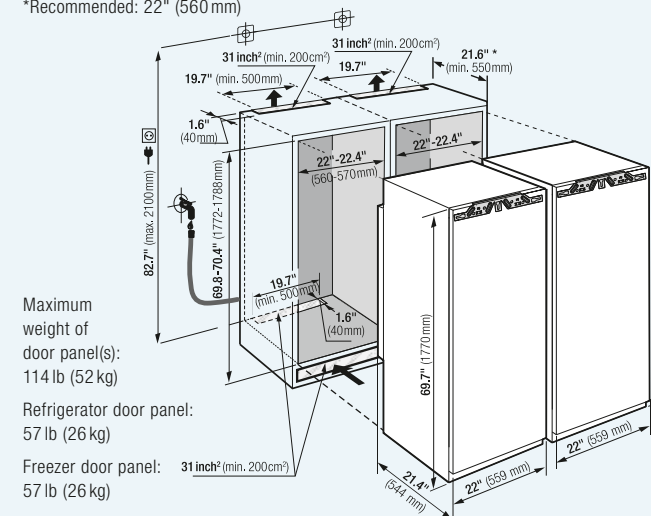
\* Estimated energy cost will depend on utility rates and use. Estimated energy cost based on a national average electricity cost of 12 cents per kWh.

\*\* Noise level – sound power re 1pW – according to EN 60704-3.

## Unit Dimensions

Cabinetry panels attach directly onto the appliance door(s) (Door-on-Door technology).  
No cabinet hinges are required.

\*Recommended: 22" (560 mm)





## Key Benefits



**Ice Maker**

**IceMaker:** Liebherr's automatic IceMaker with fixed water connection produces perfect half-moon crescent ice cubes and keeps a constant supply on hand for every occasion. An activated charcoal filter ensures that pure water is used for the production of clear ice.



**Glass Line**

**GlassLine:** The elegant, yet tough, GlassLine shelves are scratch resistant and easy to clean, as well as dishwasher safe. These space saving shelves are designed for better organization of the contents of your refrigerator, and are completely adjustable to suit your needs.



**Touch control system:** Our intuitive touch electronic control panel (found on most models) ensures that all functions are easy and convenient to use.



**Soft Telescopic**

**SoftTelescopic:** BioFresh and pull-out drawers with SoftTelescopic – a highly practical self-retracting, self-closing feature – makes daily use convenient and secure. The drawers are fully extendible and removable from a door opening angle of 90°.



**Soft System**

**SoftSystem:** SoftSystem integrated into the appliance door cushions the door closure, eliminating slamming, even when shelves are with fully loaded. In built-in appliances, the door will close automatically from an opening angle of approx. 30°.



**Water-Filtration**

**Water filtration:** The integrated water filter for the IceMaker is conveniently located behind the magnetic toe kick, allowing for quick filter changes when indicated by the electronic control panel.

Features shown are model dependent. Product features may vary.

48" Built-in

This Side-by-Side combination, made of the 24" WF 1061 wine cabinet and freezer, and the 24" RB 1410 refrigerator, offers optimal storage for all your favorite foods and beverages.

WF 1061 and RB 1410 PremiumPlus



left appliance: **WF 1061**

<b>Capacity</b>	
Total capacity cu.ft. (l)	8.9 (254)
NoFrost Freezer comp. cu.ft. (l)	4.5 (127)
Max. No. of Bordeaux btls 0.75 l	34
<b>Shipping weight lbs. (kg)</b>	255.3 (115.8)
<b>Climate rating</b>	SN-T
<b>Sound rating dB(A)**</b>	43
<b>Ice cube output lbs. (kg)/24 h</b>	1.8 (0.8)
<b>Ice cube stock lbs. (kg)</b>	3.3 (1.5)
<b>Door hinges</b>	left
<b>Product dimensions</b>	
in inch H/W/D	76 3/8" / 24 1/16" / 24 7/8"
in cm H/W/D	193.9/61/63.2
<b>Cut out dimensions</b>	
in inch H/W/D	76 13/16"-79 13/16" / 24 1/16" / 24 1/16"
in cm H/W/D	195-202.6/61/61
<b>Energy supply</b>	
Voltage V/Hz	115/60

right appliance: **RB 1410**

<b>Energy consumption</b>	
in 365 days kWh	295
Estimated Yearly Energy Cost in US \$*	35
<b>Capacity</b>	
Total capacity cu.ft. (l)	12.8 (363)
Refrigerator comp. cu.ft. (l)	8.7 (363)
BioFresh comp. cu.ft. (l)	4.1 (117)
<b>Shipping weight lbs. (kg)</b>	225.5 (102.3)
<b>Climate rating</b>	SN-T
<b>Sound rating dB(A)**</b>	45
<b>Door hinges</b>	right, reversible
<b>Product dimensions</b>	
in inch H/W/D	76 3/8" / 24 1/16" / 24 7/8"
in cm H/W/D	193.9/61/63.2
<b>Cut out dimensions</b>	
in inch H/W/D	76 13/16"-79 13/16" / 24 1/16" / 24 1/16"
in cm H/W/D	195-202.6/61/61
<b>Energy supply</b>	
Voltage V/Hz	115/60

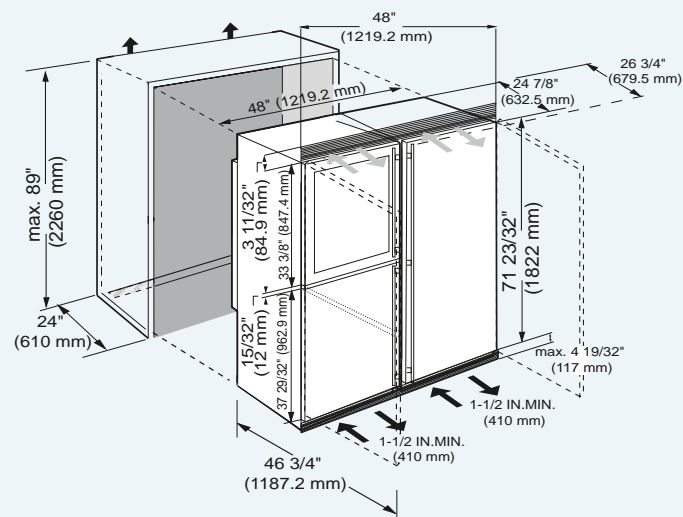
Ventilation Requirements for installation per unit 200 cm<sup>2</sup> / 32 in<sup>2</sup>  
Individual appliances are ENERGY STAR<sup>®</sup> rated

<b>Accessories</b>	
Single installation set	9900 306
SBS installation set	9900 308
Top ventilation grill single	9900 302
Top ventilation grill SBS 80"	9900 304
Top ventilation grill SBS 84"	9900 344
Water filter	7440 002

\* Estimated energy cost will depend on utility rates and use. Estimated energy cost based on a national average electricity cost of 12 cents per kWh.  
\*\* Noise level – sound power re 1pW – according to EN 60704-3.



Unit Dimensions



Refer to the minimum door clearances and illustrations in the Design Guide for details on door openings and filler size alternatives to ensure a minimum door opening of 90°.





## Built-in

48"

This Side-by-Side combination made of the 24" **F 1051** freezer and 24" **RB 1410** refrigerator, is full of practical interior features, and fits flawlessly within your personalized kitchen design.

### F1051 and RB 1410 Premium

Bio Fresh Ice Maker Soft System Soft Telescopic




left appliance: **F 1051**

<b>Energy consumption</b>	
in 365 days kWh	465
Estimated Yearly Energy Cost in US \$*	56
<b>Capacity</b>	
Total capacity cu.ft. (l)	9.4 (267)
NoFrost Freezer comp. cu.ft. (l)	9.4 (267)
<b>Shipping weight lbs. (kg)</b>	222.4 (100.9)
<b>Climate rating</b>	SN-T
<b>Sound rating dB(A)**</b>	44
<b>Ice cube output lbs. (kg) / 24 h</b>	1.8 (0.8)
<b>Ice cube stock lbs. (kg)</b>	3.3 (1.5)
<b>Door hinges</b>	left, reversible
<b>Product dimensions</b>	
in inch H/W/D	76 3/8" / 24 1/16" / 24 7/8"
in cm H/W/D	193.9/61/63.2
<b>Cut out dimensions</b>	
in inch H/W/D	76 13/16"-79 13/16" / 24 1/16" / 24 1/16"
in cm H/W/D	195-202.6/61/61
<b>Energy supply</b>	
Voltage V/Hz	115/60

right appliance: **RB 1410**

<b>Energy consumption</b>	
in 365 days kWh	295
Estimated Yearly Energy Cost in US \$*	35
<b>Capacity</b>	
Total capacity cu.ft. (l)	12.8 (363)
Refrigerator comp. cu.ft. (l)	8.7 (363)
BioFresh comp. cu.ft. (l)	4.1 (117)
<b>Shipping weight lbs. (kg)</b>	225.5 (102.3)
<b>Climate rating</b>	SN-T
<b>Sound rating dB(A)**</b>	45
<b>Door hinges</b>	right, reversible
<b>Product dimensions</b>	
in inch H/W/D	76 3/8" / 24 1/16" / 24 7/8"
in cm H/W/D	193.9/61/63.2
<b>Cut out dimensions</b>	
in inch H/W/D	76 13/16"-79 13/16" / 24 1/16" / 24 1/16"
in cm H/W/D	195-202.6/61/61
<b>Energy supply</b>	
Voltage V/Hz	115/60

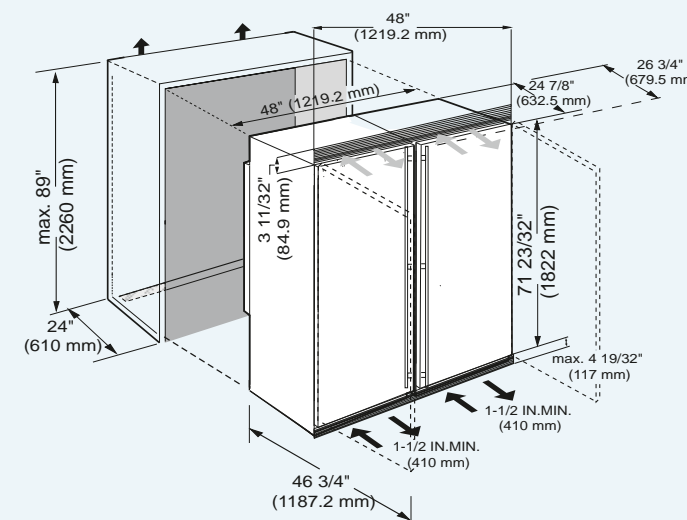
Ventilation Requirements for installation per unit  200 cm<sup>2</sup> / 32 in<sup>2</sup>  
Individual appliances are ENERGY STAR<sup>®</sup> rated

<b>Accessories</b>	
Single installation set	9900 306
SBS installation set	9900 308
Top ventilation grill single	9900 302
Top ventilation grill SBS 80"	9900 304
Top ventilation grill SBS 84"	9900 344
Water filter	7440 002

\* Estimated energy cost will depend on utility rates and use. Estimated energy cost based on a national average electricity cost of 12 cents per kWh.

\*\* Noise level – sound power re 1pW – according to EN 60704-3.

### Unit Dimensions



Refer to the minimum door clearances and illustrations in the Design Guide for details on door openings and filler size alternatives to ensure a minimum door opening of 90°.



Every kitchen designer would be happy with the distinctive design options of this Side-by-Side combination, composed of the 24" BF 1061 refrigerator-freezer and 24" R 1410 refrigerator.

**BF 1061 and R 1410 Premium**

- Bio Fresh
- Ice Maker
- Soft System



left appliance:		<b>BF 1061</b>
<b>Energy consumption</b>		
in 365 days kWh		495
Estimated Yearly Energy Cost in US \$*		59
<b>Capacity</b>		
Total capacity cu.ft. (l)		10.0 (284)
BioFresh comp. cu.ft. (l)		5.5 (157)
NoFrost Freezer comp. cu.ft. (l)		4.5 (127)
Shipping weight lbs. (kg)		233.2 (105.8)
Climate rating		SN-T
Sound rating dB(A)**		43
Ice cube output lbs. (kg) / 24 h		1.8 (0.8)
Ice cube stock lbs. (kg)		3.3 (1.5)
Door hinges		left, reversible
<b>Product dimensions</b>		
in inch H/W/D		76 3/8" / 24 1/16" / 24 7/8"
in cm H/W/D		193.9/61/63.2
<b>Cut out dimensions</b>		
in inch H/W/D		76 13/16"-79 13/16" / 24 1/16" / 24 1/16"
in cm H/W/D		195-202.6/61/61
<b>Energy supply</b>		
Voltage V/Hz		115/60

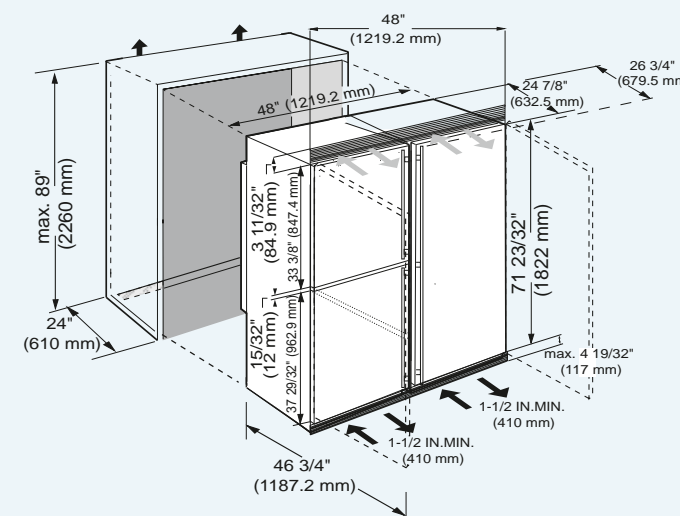
right appliance:		<b>R 1410</b>
<b>Energy consumption</b>		
in 365 days kWh		298
Estimated Yearly Energy Cost in US \$*		36
<b>Capacity</b>		
Total capacity cu.ft. (l)		13.7 (391)
Refrigerator comp. cu.ft. (l)		13.7 (391)
Shipping weight lbs. (kg)		217.8 (98.8)
Climate rating		SN-T
Sound rating dB(A)**		40
Door hinges		right, reversible
<b>Product dimensions</b>		
in inch H/W/D		76 3/8" / 24 1/16" / 24 7/8"
in cm H/W/D		193.9/61/63.2
<b>Cut out dimensions</b>		
in inch H/W/D		76 13/16"-79 13/16" / 24 1/16" / 24 1/16"
in cm H/W/D		195-202.6/61/61
<b>Energy supply</b>		
Voltage V/Hz		115/60

Ventilation Requirements for installation per unit 200 cm<sup>2</sup> / 32 in<sup>2</sup>  
Individual appliances are ENERGY STAR<sup>®</sup> rated

<b>Accessories</b>	
Single installation set	9900 306
SBS installation set	9900 308
Top ventilation grill single	9900 302
Top ventilation grill SBS 80"	9900 304
Top ventilation grill SBS 84"	9900 344
Water filter	7440 002

\* Estimated energy cost will depend on utility rates and use. Estimated energy cost based on a national average electricity cost of 12 cents per kWh.  
\*\* Noise level – sound power re 1pW – according to EN 60704-3.

**Unit Dimensions**



Refer to the minimum door clearances and illustrations in the Design Guide for details on door openings and filler size alternatives to ensure a minimum door opening of 90°.

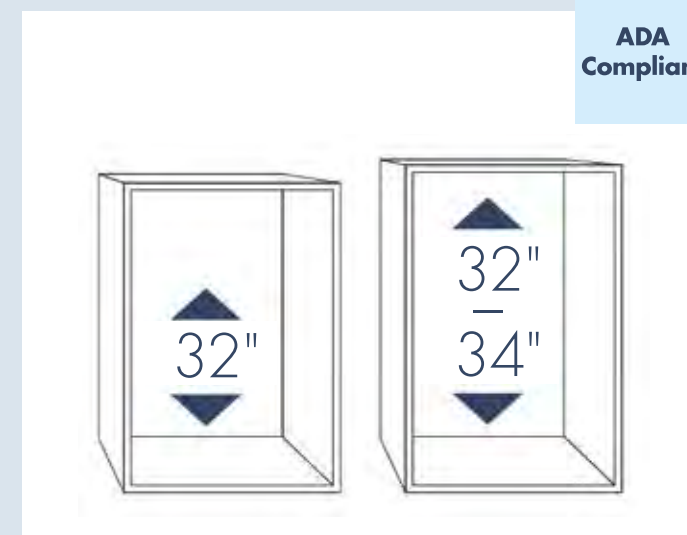


UPR 503

## Key Benefits

Offering amazing capacity as well as superior storage, the sophisticated design of these units blends beautifully with any décor. Whether you are

entertaining a large group or having a quiet family night at home, these units offer storage flexibility without compromises on elegance and design.



**ADA compliant:** Liebherr's undercounter appliances are ADA compliant, designed to fit under counter heights between 32" and 34".



**Beverage center:** Liebherr offers undercounter beverage centers to fit your needs, either with a glass door with an elegant stainless steel frame for indoor use, or with a solid door for outdoor installation.\*



**SoftTelescopic:** Food can be stored securely within reach thanks to fully-extendible pull-out drawers. The SoftTelescopic system provides convenient and reliable self-retraction with soft closing.



**Ventilation:** Liebherr's undercounter appliances are available for integrated use or for fitting with décor panels. Ventilation occurs through the base plinth, so a ventilation grill is not required on top of the appliance.

Features shown are model dependent. Product features may vary.  
\* Side-by-Side Kit available

The **UPR 503** takes both the designer and the user in mind, offering convenient features and design flexibility to fit any home. The universally designed, pull-out undercounter refrigerator can be adjusted in height to match that of the counter space, providing an optimal fit for countertops up to 34" high. Like all Liebherr integrated appliances, the UPR 503 uses door-on-door technology, allowing custom panels to be affixed directly onto the appliance door, ensuring seamless integration within your custom design, as well as easy installation.

The **UPR 503's** fully extendable drawers are designed with SoftTelescopic, which provides reliable self-retraction and soft closing. The elegant, yet tough, space-saving GlassLine shelves are both scratch resistant and easy-to-clean.

Noise is kept to a minimum thanks to virtually silent, speed controlled, and specially-absorbed compressors along with a low noise cooling circuit, ensuring exact performance, energy efficiency and SuperQuiet operation.

#### UPR 503 Premium



#### Energy consumption

in 365 days kWh	267
Estimated Yearly Energy Cost in US \$*	32

#### Capacity

Total capacity cu.ft. (l)	4.2 (118)
Refrigerator comp. cu.ft. (l)	4.2 (118)
Temperature range °F (°C)	+34 to +48 (+1 to +9)
Shipping weight lbs. (kg)	112 (50.8)
Climate rating	SN-T
Sound rating dB(A)**	39
Door hinges	pull-out drawer

#### Product dimensions

in inch H/W/D	32 5/16"+2" / 23 9/16" / 21 11/16"
in cm H/W/D	81.95+5/59.7/55

#### Cut out dimensions

in inch H/W/D	32 5/16"-34 5/16" / 23 5/8"-24 1/16" / 21 11/16"
in cm H/W/D	82-87/60-61/55

#### Energy supply

Voltage V/Hz	115/60
--------------	--------

#### Accessories

Stainless steel panel	9900 432
14" round stainless steel handle	9901 527
Adjustable toe kick	9900 436

\* Estimated energy cost will depend on utility rates and use. Estimated energy cost based on a national average electricity cost of 12 cents per kWh.

\*\* Noise level – sound power re 1pW – according to EN 60704-3.





## Undercounter Beverage Center

24"

Liebherr's sleek **RU 510** 24" beverage/wine center stores a variety of drinks to perfection, while keeping them close at hand in any kitchen, bar, or entertainment area. Whether you're entertaining a large group, or having a quiet family night at home, the RU 510 offers amazing capacity and superior storage, with sophisticated design that blends beautifully with any decor.

The **RU 510** features a glass door for a clear view of stored beverages, and an elegant stainless steel frame that can also accommodate a custom panel if desired. The appliance offers a variety of storage flexibility options thanks to the glass shelves with stainless steel trim, a convenient split shelf for storing taller items, and a pull out metal rack. The electronic control system is situated at the top of the interior and is visible through the glass door, allowing for temperature settings between 37°F to 68°F.

### RU 510

LED Telescopic Rails ADA Compliant



#### Capacity

Total capacity cu.ft. (l)	3.8 (108)
Capacity of wine compartment cu.ft. (l)	3.8 (108)
Total cans storage capacity (0.33 l)	114
Temperature range °F (°C)	+36 to +68 (+2 to +20)
Shipping weight lbs. (kg)	121.3 (55)
Climate rating	SN-ST
Sound rating dB(A)**	39
Door hinges	right, reversible

#### Product dimensions

in inch H/W/D	32 1/4" / 23 9/16" / 22 3/4"
in cm H/W/D	81.8/59.7/57.7

#### Cut out dimensions

in inch H/W/D	32 5/16"-34 5/16" / 23 5/8" / 21 11/16"
in cm H/W/D	82-87/60/55

#### Energy supply

Voltage V/Hz	115/60
--------------	--------

#### Accessories

Custom panel overlay kit	9590 131
Stainless steel trim kit (conceals gap above unit)	9901 601
SBS kit	9901 647
Adjustable toe kick stainless steel	5551 0033 63S
Adjustable toe kick black	5551 0033 63B

\* Estimated energy cost will depend on utility rates and use. Estimated energy cost based on a national average electricity cost of 12 cents per kWh.

\*\* Noise level – sound power re 1pW – according to EN 60704-3.

## 24" Outdoor Beverage/Wine Cooler

The 24" **RO 510** outdoor undercounter beverage/wine cooler is the ultimate barbecue and entertainment accessory, turning your outdoor kitchen into the ultimate place for entertaining. This model offers the best solution to store beverages such as wine, beer and soft drinks, as well as barbecue supplies and condiments, close at hand without compromising on elegance and design.

The temperature of the **RO 510** can be set between 36°F and 68°F for a variety of uses. This outdoor appliance includes three glass shelves with stainless steel trim for flexible storage, including a versatile split shelf for storing taller items, and two door racks (one adjustable). This model is perfect for outdoor entertaining, operating perfectly in ambient temperatures from 50°F to 109°F. Because of its sophisticated stainless steel look, the RO 510 can also be used indoors within a kitchen or bar for added convenience.

### RO 510

LED Telescopic Rails ADA Compliant



#### Capacity

Total capacity cu.ft. (l)	3.7 (104)
Capacity of wine compartment cu.ft. (l)	3.7 (104)
Temperature range °F (°C)	+36 to +68 (+2 to +20)
Shipping weight lbs. (kg)	130.1 (59)
Climate rating	SN-T
Sound rating dB(A)**	39
Door hinges	right, reversible

#### Product dimensions

in inch H/W/D	32 1/4" / 23 9/16" / 22 3/4"
in cm H/W/D	81.8/59.7/57.7

#### Cut out dimensions

in inch H/W/D	32 5/16"-34 5/16" / 23 5/8" / 21 11/16"
in cm H/W/D	82-87/60/55

#### Energy supply

Voltage V/Hz	115/60
--------------	--------

\* Estimated energy cost will depend on utility rates and use. Estimated energy cost based on a national average electricity cost of 12 cents per kWh.  
 \*\* Noise level – sound power re 1pW – according to EN 60704-3.



## Key Benefits



LED

**LED lighting:** All Liebherr wine cabinets are equipped with innovative LED lighting, which can be dimmed for a pleasing ambient light inside the wine cabinet, while emitting less heat, optimal for long-term illumination.



**Presentation shelf:** The practical shelf of the Vinidor models fulfills both bottle storage and presentation functions. The bottles can be stored horizontally at the rear.



**Activated charcoal filter:** During prolonged storage, wines can be adversely affected by environmental odors. Optimum air quality is guaranteed in Liebherr wine cabinets thanks to the easy-to-replace activated charcoal filter, which purifies incoming air.



**Integrated lock:** Nicely concealed into the side of the door, this sturdy lock protects your fine wine collection.



**Electronic LCD display:** Touch electronic control systems allow the temperature to be set to the exact desired degree, easily and accurately thanks to the electronic LCD display.



**Compressors:** Even slight vibrations can disturb the wine maturing process and prevent the tannins from settling. Specially developed, exceptionally low-vibration compressors are included in all Liebherr wine cabinets, ensuring that wine is optimally stored.



HW 8000

Wine models are intended for storing wine exclusively. Maximum indicated bottle capacity is based on Bordeaux bottles (0.75 l). Features shown are model dependent. Product features may vary.

The fully integrated **HW 8000** multi-temperature wine cabinet is sure to compliment any kitchen, bar, or living room design. The temperature in each of the two sophisticated temperature zones can be set between 41°F and 68°F, ensuring optimal storage conditions for suitable for storing reds, whites, and champagnes. The HW 8000 provides storage flexibility for up to 80 Bordeaux bottles thanks to its beech wood shelving and ten storage areas at varying heights, ideal for grouping different bottles types and sizes. A flexible clip-on labelling system ensures a clear overview of your wine collection. Alternatively, you can display your wines on the high-quality presentation shelf.

The **HW 8000** can be fully integrated to match your unique design, matching cabinetry heights of up to 80" or 84", including Side-by-Side combinations for maximum wine storage. A stainless steel panel accessory kit is available for when your design calls for a stainless steel look.

The **HW 8000's** activated charcoal filter provides superb air quality by removing contaminating substances from the cabinet air. The insulated glass door with UV protection and LED lighting, alongside the activated charcoal filter, protect your finest wines from busy kitchen influences such as light and damaging odors.

#### HW 8000 Vinidor

LED	Wine	Soft System	Telescopic Rails	ADA Compliant
-----	------	-------------	------------------	---------------



#### Capacity

Total capacity cu.ft. (l)	8.9 (254)
Capacity of wine compartment cu.ft. (l)	8.9 (254)
Max. No. of Bordeaux btls 0.75 l	80
Temperature range °F (°C)	+41 to +68 (+5 to +20)
Shipping weight lbs. (kg)	211.6 (96)
Climate rating	SN-ST
Sound rating dB(A)*	36
Door hinges	right, reversible

#### Product dimensions

in inch H/W/D	69 11/16" / 21 15/16" / 21 5/16"
in cm H/W/D	176.9/55.7/54.1

#### Cut out dimensions (Cut out height does not include toe kick)

in inch H/W/D	69 13/16"-70 7/16" / 22 1/16"-22 1/2" / 21 11/16"
in cm H/W/D	177.2-178.8/56-57/55

#### Energy supply

Voltage V/Hz	115/60
--------------	--------

#### This unit is also available as

**HWgb 8300:** in elegant black (fits 83 bottles)

**HWgw 8300:** in chic white (fits 83 bottles)

Ventilation Requirements for installation per unit	200 cm <sup>2</sup> / 32 in <sup>2</sup>
--	--

#### Accessories

Charcoal filter	7434 557
Stainless steel panel, profile frame and handle	9901 573
Brushed aluminum profile frame 3/4"	7652 417

\* Noise level – sound power re 1pW – according to EN 60704-3.







The TipOpen, white glass **HWgw 5100** multi-temperature wine cabinet is sure to compliment any kitchen, bar, or living room design. The temperature in each of the two sophisticated temperature zones can be set between 41°F and 68°F, ensuring optimal storage conditions for reds, whites, and champagnes. The HWgw 5100 provides storage flexibility for up to 51 Bordeaux bottles thanks to its beech wood shelving and six storage areas at varying heights, ideal for grouping different bottles types and sizes. A flexible clip-on labelling system ensures a clear overview of your wine collection. Alternatively, you can display your wines on the high-quality foldable presentation shelf.

The **HWgw 5100**'s chic white glass door, featuring TipOpen technology, offers seamless integration into handle-free kitchen cabinetry. When the glass door is gently tapped, TipOpen technology partially opens the cabinet, facilitating further opening. If the door is not fully opened within three seconds, the door will self-close, ensuring that ideal air humidity is maintained within cabinet. This wine cabinet can be installed in a Side-by-Side combination for maximum wine storage.

The **HWgw 5100**'s activated charcoal filter provides superb air quality by removing contaminating substances from the cabinet air. The insulated glass door with UV protection and LED lighting, alongside the activated charcoal filter, protect your finest wines from busy kitchen influences such as light and damaging odors.

#### HWgw 5100 Vinidor

LED	Wine	Tip Open	Soft System	Telescopic Rails	ADA Compliant
-----	------	----------	-------------	------------------	---------------



#### Capacity

Total capacity cu.ft. (l)	6.0 (169)
Capacity of wine compartment cu.ft. (l)	6.0 (169)
Max. No. of Bordeaux btls 0.75 l	51
Temperature range °F (°C)	+41 to +68 (+5 to +20)
Shipping weight lbs. (kg)	152.1 (69)
Climate rating	SN-ST
Sound rating dB(A)*	36
Door hinges	right, reversible

#### Product dimensions

in inch H/W/D	47 15/16" / 21 15/16" / 22 1/16"
in cm H/W/D	121.7/55.7/56

#### Cut out dimensions (Cut out height does not include toe kick)

in inch H/W/D	48 1/16"-48 11/16" / 22 1/16"-22 1/2" / 21 11/16"
in cm H/W/D	122-123.6/56-57/55

#### Energy supply

Voltage V/Hz	115/60
--------------	--------

#### This unit is also available as

**HW 4800:** panel ready (fits 48 bottles)

**HWgb 5100:** in elegant black

Ventilation Requirements for installation per unit	200 cm <sup>2</sup> / 32 in <sup>2</sup>
--	--

#### Accessories

Charcoal filter	7434 557
Stainless steel panel, profile frame and handle	9901 575
Brushed aluminum profile frame 3/4"	7652 419

\* Noise level – sound power re 1pW – according to EN 60704-3.



The fully integrated **HW 3000** multi-temperature wine cabinet is sure to compliment any kitchen, bar, or living room design. The temperature in each of the two sophisticated temperature zones can be set between 41°F and 68°F, ensuring optimal storage conditions for reds, whites, and champagnes. The HW 3000 provides storage flexibility for up to 30 Bordeaux bottles thanks to its beech wood shelving and four storage areas at varying heights, ideal for grouping different bottles types and sizes. A flexible clip-on labelling system ensures a clear overview of your wine collection. Alternatively, you can display your wines on the high-quality presentation shelf.

The **HW 3000** can be fully integrated to match your unique design, including Side-by-Side combinations for maximum wine storage. A stainless steel panel accessory kit is available for when your design calls for a stainless steel look.

The **HW 3000's** activated charcoal filter provides superb air quality by removing contaminating substances from the cabinet air. The insulated glass door with UV protection and LED lighting, alongside the activated charcoal filter, protect your finest wines from busy kitchen influences such as light and damaging odors.

**HW 3000 Vinidor**

- LED
- Wine
- Soft System
- Telescopic Rails
- ADA Compliant



**Capacity**

Total capacity cu.ft. (l)	3.4 (97)
Capacity of wine compartment cu.ft. (l)	3.4 (97)
Max. No. of Bordeaux btls 0.75 l	30
<b>Temperature range °F (°C)</b>	+41 to +68 (+5 to +20)
<b>Shipping weight lbs. (kg)</b>	116.8 (53)
<b>Climate rating</b>	SN-ST
<b>Sound rating dB(A)*</b>	36
<b>Door hinges</b>	right, reversible

**Product dimensions**

in inch H/W/D	34 5/16" / 21 15/16" / 21 5/16"
in cm H/W/D	87.1/55.7/54.1

**Cut out dimensions** (Cut out height does not include toe kick)

in inch H/W/D	34 7/16"-35 1/16" / 22 1/16"-22 1/2" / 21 11/16"
in cm H/W/D	87.4-89/56-57/55

**Energy supply**

Voltage V/Hz	115/60
--------------	--------

**This unit is also available as**

**HWgb 3300:** in elegant black (fits 33 bottles)

**HWgw 3300:** in chic white (fits 33 bottles)

Ventilation Requirements for installation per unit	200 cm <sup>2</sup> / 32 in <sup>2</sup>
--	--

**Accessories**

Charcoal filter	7434 557
Stainless steel panel, profile frame and handle	9901 577
Brushed aluminum profile frame 3/4"	7652 421

\* Noise level – sound power re 1pW – according to EN 60704-3.

## 24" Wine Cabinets

The innovative and superbly designed **HWgw 1803** wine cabinet is designed for today's modern kitchen. Featuring high performance technology alongside easy-to-use features, the HWgw 1803 proves that it's possible to save energy without compromising convenience and design. Employing state-of-the-art climate technology with heating and cooling circuits, alongside FreshAir activated filtration, the HWgw 1803 ensures the very best conditions for wines to quietly mature and develop their full flavor. Precision electronics, specialized compressors, and a variety of additional innovative features, make the HWgw 1803 the ideal model for optimally storing wine.

The **HWgw 1803** includes TipOpen technology – the perfect solution for hands-free kitchen designs. When the glass door is gently tapped, TipOpen technology partially opens the cabinet, facilitating further opening. If the door is not fully opened within three seconds, the door will self-close, ensuring that ideal air humidity is maintained within cabinet. When fully opened, the door opens downward like an oven.

The easy-glide accessory drawer can be used to store wine accessories directly below the **HWgw 1803**. The accessory drawer is available in black glass, or stainless steel, to match the HWgw 1803 and your custom cabinetry.

### HWgw 1803 GrandCru

LED	Wine	Tip Open	Soft System	Telescopic Rails	ADA Compliant
-----	------	----------	-------------	------------------	---------------



#### Capacity

Total capacity cu.ft. (l)	1.7 (46)
Capacity of wine compartment cu.ft. (l)	1.7 (46)
Max. No. of Bordeaux btls 0.75 l	18
Temperature range °F (°C)	+41 to +68 (+5 to +20)
Shipping weight lbs. (kg)	90.4 (41)
Climate rating	SN-ST
Sound rating dB(A)*	34
Door hinges	drop-down door with TipOpen technology

#### Product dimensions

in inch H/W/D	17 11/16" / 21 7/8" / 22 1/16"
in cm H/W/D	44.8/55.5/55.9

#### Cut out dimensions

in inch H/W/D	17 13/16" / 22 1/16" / 21 11/16"
in cm H/W/D	45.1/55.9/55

#### Energy supply

Voltage V/Hz	115/60
--------------	--------

#### This unit is also available as

**HWgb 1803:** in elegant black

#### Accessories

Charcoal filter	7434 557
Accessory drawer in elegant black	9901 085
Accessory drawer in chic white	9901 086

\* Noise level – sound power re 1pW – according to EN 60704-3.





The **HWS 1800** fully integrated wine cabinet holds up to 18 Bordeaux bottles in an ideal storage environment. The innovative styling allows the cabinet to sit flush with cabinetry, while its recessed handle allows for simple lines that incorporate beautifully into your custom kitchen design. The HWS 1800 can fit anywhere in your home, allowing for your finest wine collections to be displayed at eye level.

The temperature of the cabinet can be set between 41°F and 68°F, making the **HWS 1800** suitable for storing reds, whites, and champagne. The insulated glass door with UV protection, alongside the activated charcoal filter, protect the wines from busy kitchen influences such as light and odor. The energy efficient LED ceiling light not only emits virtually no heat, but it is dimmable to cast a cool glow across the room. A trim kit with stainless steel panels for 30" wide cabinet installations is available as an accessory.

#### HWS 1800 GrandCru

LED	Wine	Telescopic Rails	ADA Compliant
-----	------	------------------	---------------



#### Capacity

Total capacity cu.ft. (l)	1.7 (47)
Capacity of wine compartment cu.ft. (l)	1.7 (47)
Max. No. of Bordeaux btls 0.75 l	18
Temperature range °F (°C)	+41 to +68 (+5 to +20)
Shipping weight lbs. (kg)	72.8 (33)
Climate rating	SN
Sound rating dB(A)*	36
Door hinges	right, reversible

#### Product dimensions

in inch H/W/D	17 3/8" / 21 15/16" / 20 9/16"
in cm H/W/D	44.1/55.7/52.2

#### Cut out dimensions

in inch H/W/D	17 3/4" / 22 1/16" / 21 11/16"
in cm H/W/D	45/56/55

#### Energy supply

Voltage V/Hz	115/60
--------------	--------

#### Accessories

Charcoal filter	7433 243
Trim kit 30"	9900 073
Accessory drawer stainless steel	9901 084

\* Noise level – sound power re 1pW – according to EN 60704-3.



The **WUgb 3400** offers a number of innovative solutions for wine storage. The temperature in each of the two sophisticated temperature zones can be set between 41°F and 68°F, ensuring optimal storage conditions for reds, whites, and champagnes.

The elegant black glass door, featuring TipOpen technology, offers seamless integration into handle-free kitchen cabinetry. This smart wine cabinet can hold up to 34 Bordeaux bottles and when lightly tapped, the glass door partially opens, facilitating further opening. If the door is not fully opened further within three seconds, the door will self-close, safeguarding your precious wines.

Liebherr's design uses recirculated forced air cooling and a permanent fresh air supply via an easily exchangeable activated charcoal filter. Humidity ranges between 50 and 80 percent, permitting wine to breathe as it matures and to keep corks supple. Specially developed, quiet compressors ensure that the **WUgb 3400** produces the lowest vibration possible as fine wines love peace and quiet as much as anyone.

#### WUgb 3400 Vinidor

LED	Wine	Tip Open	Soft System	Telescopic Rails	ADA Compliant
-----	------	----------	-------------	------------------	---------------

#### Capacity

Total capacity cu.ft. (l)	3.3 (94)
Capacity of wine compartment cu.ft. (l)	3.3 (94)
Max. No. of Bordeaux btls 0.75 l	34
Temperature range °F (°C)	+41 to +68 (+5 to +20)
Shipping weight lbs. (kg)	123.5 (56)
Climate rating	SN-ST
Sound rating dB(A)*	38
Door hinges	right, reversible

#### Product dimensions

in inch H/W/D	32 1/4" / 23 9/16" / 22 11/16"
in cm H/W/D	81.8/59.7/57.5

#### Cut out dimensions

in inch H/W/D	32 5/16"-34 5/16" / 23 5/8" / 22 7/8"
in cm H/W/D	82-87 / 60/58

#### Energy supply

Voltage V/Hz	115/60
--------------	--------

#### Accessories

Charcoal filter	7434 557
Black glass trim kit (conceals gap above unit)	9901 599
SBS kit	9901 647
Adjustable toe kick stainless steel	5551 0033 63S
Adjustable toe kick black	5551 0033 63B

\* Noise level – sound power re 1pW – according to EN 60704-3.



GERMAN  
DESIGN  
AWARD  
SPECIAL  
2016





Shown with custom panel

Temperature, humidity, vibration, and light are the most important elements of wine storage. Liebherr's **WU 3400**, with dual temperature zones, addresses all four of these areas with the best storage and preservation needs in mind. The temperature in each of the two sophisticated temperature zones can be set between 41°F and 68°F, making the cabinet suitable for storing reds, whites, and champagnes.

As a true wine storage unit, the **WU 3400** includes heating capabilities to maintain accurate temperatures when the location of the appliance is colder than the desired set temperature. Temperatures will not drop below 32°F thanks to the safety thermostat, ensuring the best quality of your wines. In addition to the constant temperature feature, ideal climates are created with alongside exceptional air quality. Liebherr's design uses recirculated forced air cooling and a permanent fresh air supply via an easily exchangeable activated charcoal filter.

Humidity ranges between 50 and 80 percent, permitting wine to breathe as it matures and to keep corks supple. Specially developed, quiet compressors ensure that the cabinet produces the lowest vibration possible as fine wines love peace and quiet as much as anyone. The **WU 3400** is available in stainless steel or can be designed with a custom panel using the overlay accessory kit.

**WU 3400 Vinidor**

- LED
- Wine
- Telescopic Rails
- ADA Compliant



**Capacity**

Total capacity cu.ft. (l)	3.3 (94)
Capacity of wine compartment cu.ft. (l)	3.3 (94)
Max. No. of Bordeaux btls 0.75 l	34
<b>Temperature range °F (°C)</b>	+41 to +68 (+5 to +20)
<b>Shipping weight lbs. (kg)</b>	123.5 (56)
<b>Climate rating</b>	SN-ST
<b>Sound rating dB(A)*</b>	39
<b>Door hinges</b>	right, reversible

**Product dimensions**

in inch H/W/D	32 1/4" / 23 9/16" / 22 11/16"
in cm H/W/D	81.8/59.7/57.5

**Cut out dimensions**

in inch H/W/D	32 5/16"-34 5/16" / 23 5/8" / 22 7/8"
in cm H/W/D	82-87/60/58

**Energy supply**

Voltage V/Hz	115/60
--------------	--------

**Accessories**

Charcoal filter	7434 557
Custom panel overlay kit	9590 131
Stainless steel trim kit (conceals gap above unit)	9901 601
SBS kit	9901 647
Adjustable toe kick stainless steel	5551 0033 63S
Adjustable toe kick black	5551 0033 63B

\* Noise level – sound power re 1pW – according to EN 60704-3.



## Wine Cabinets

24"

The **WU 4500** wine storage cabinet is ideal for storing wines for long periods of time, allowing them to mature to perfection. The temperature of the cabinet can be set between 41°F and 68°F, making the cabinet suitable for storing reds, whites, and champagnes.

The **WU 4500** can hold up to 46 Bordeaux bottles, stored on beech wood shelves with smooth telescopic rails. With a constant supply of fresh air via an activated charcoal filter and continuously circulating air cooling, this appliance guarantees consistent high air quality during the maturing process. A specially developed compressor ensures that wines are stored in a vibration-free environment so as to not disturb the wines' sediment.

The **WU 4500** can be integrated easily and elegantly into any custom kitchen design as it ventilates through the toe kick, eliminating the need for counter slots. This sophisticated appliance also boasts a digital temperature display conveniently located at the top of the cabinet with visibility through the elegant glass door.

### WU 4500 GrandCru

LED Wine Telescopic Rails ADA Compliant



#### Capacity

Total capacity cu.ft. (l)	3.9 (110)
Capacity of wine compartment cu.ft. (l)	3.9 (110)
Max. No. of Bordeaux btls 0.75 l	46
Temperature range °F (°C)	+41 to +68 (+5 to +20)
Shipping weight lbs. (kg)	116.8 (53)
Climate rating	SN-ST
Sound rating dB(A)*	39
Door hinges	right, reversible

#### Product dimensions

in inch H/W/D	32 1/4" / 23 9/16" / 22 3/4"
in cm H/W/D	81.8/59.7/57.7

#### Cut out dimensions

in inch H/W/D	32 5/16"-34 5/16" / 23 5/8" / 22 7/8"
in cm H/W/D	82-87/60/58

#### Energy supply

Voltage V/Hz	115/60
--------------	--------

#### Accessories

Charcoal filter	7434 557
Custom panel overlay kit	9590 131
Stainless steel trim kit (conceals gap above unit)	9901 601
SBS kit	9901 647
Adjustable toe kick stainless steel	5551 0033 63S
Adjustable toe kick black	5551 0033 63B

\* Noise level – sound power re 1pW – according to EN 60704-3.

The **WS 17800** satisfies your need for the smartest, most elegant way to store wine, in addition to adding a sophisticated flair when entertaining your guests. While stylish enough to fit any decor, the WS 17800 also creates the ideal conditions for wines to mature successfully – constant air quality, temperature, and humidity controls, alongside quiet, vibration-free storage. Specially developed, quiet compressors ensure that the cabinet produces the lowest vibration possible, allowing wines to fully mature. The insulated glass door with UV protection, alongside the activated charcoal filter, protect the wines from busy kitchen influences such as light and odor.

The three temperature zones within the **WS 17800** can be set between 41°F to 68°F, making the cabinet suitable for the storage of reds, whites, and champagnes. This model is equipped with an alarm system to alert the user if the door has been left open, or if the selected temperatures have been compromised. The energy efficient LED ceiling light not only emits virtually no heat, but it is dimmable to cast a cool glow across the room.

As a true wine storage unit, the **WS 17800** includes heating capabilities to maintain accurate temperatures when the location of the cabinet is colder than the desired set temperature. Liebherr's design uses recirculated forced air cooling and a permanent fresh air supply via an easily exchangeable activated charcoal filter. Humidity ranges between 50 and 80 percent, permitting wine to breathe as it matures and to keep corks supple. Attractive beech wood shelving with smooth telescopic rails, and a unique drop-down presentation shelf, makes displaying your finest wines elegant and easy.

**WS 17800 Vinidor**

LED Wine Soft System Telescopic Rails

**Capacity**

Total capacity cu.ft. (l)	17.7 (505)
Capacity of wine compartment cu.ft. (l)	17.7 (505)
Max. No. of Bordeaux btls 0.75 l	178
<b>Temperature range °F (°C)</b>	+41 to +68 (+5 to +20)
<b>Shipping weight lbs. (kg)</b>	337.3 (153)
<b>Climate rating</b>	SN-ST
<b>Sound rating dB(A)*</b>	39
<b>Door hinges</b>	right, reversible

**Product dimensions**

in inch H/W/D	75 5/8" / 27 9/16" / 29 1/4"
in cm H/W/D	192/70/74.2

**Cut out dimensions**

in inch H/W/D	77 9/16" / 28" / 27 1/16"
in cm H/W/D	197/71.1/68.6

**Energy supply**

Voltage V/Hz	115/60
--------------	--------

Ventilation Requirements for installation per unit	300 cm <sup>2</sup>
--	---------------------

**Accessories**

Charcoal filter	7433 243
-----------------	----------

\* Noise level – sound power re 1pW – according to EN 60704-3.





# Key Benefits



LED

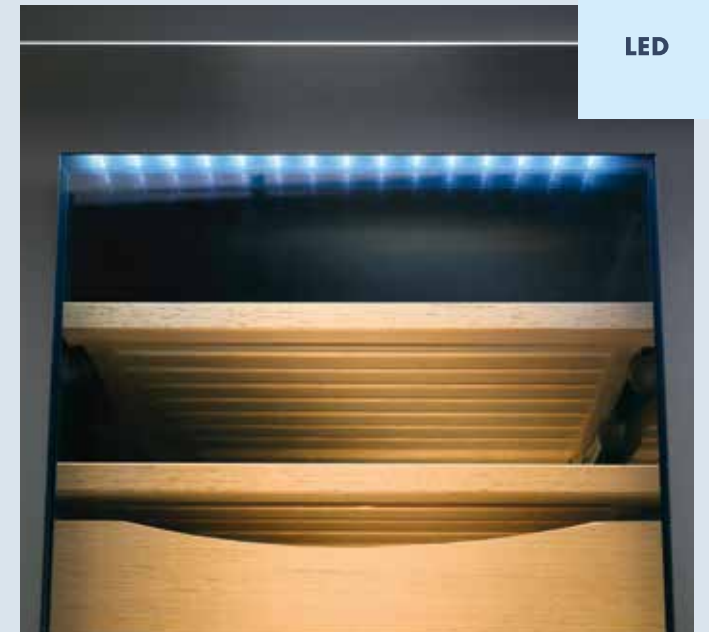
**LED lighting:** For ideal presentation, the WS 1200 features LED lighting with dimmer function. As the LEDs emit minimal heat and no UV radiation, bottles can be lit without compromising the quality of the wine.



**Accessory drawer:** This practical accessory drawer is used for storing additional wine items, or to provide the right temperature for chocolate or candy to be enjoyed alongside the wine.



**Ideal humidity:** The integrated water tray can accommodate 34oz of distilled water for ideal humidity. Sensors regulate the precise humidity level selected, while the electronic display informs when water needs to be replenished into the tray.



LED

**LED lighting:** Liebherr's XS 200 humidor has LED lighting, with dimmer function, incorporated into the glass door. As LED lights emit virtually no heat, cigars can be exposed to eliminate light for long periods of time without damage.



**Precision electronics:** The touch electronic control system allows the temperature to be set to the exact desired degree, from anywhere in between 41°F and 68°F.



**Wall mounting:** The WS 1200 and XS 200 can be wall mounted, providing an attractive focal point in the room, while saving space and adding convenient access for serving.



**Fine cedar wood:** The XS 200 humidor's two presentation boxes and shelves are crafted from Spanish cedar wood. The presentation boxes vary in height for additional storage options.



**Presentation boxes:** The wooden presentation boxes are perfect for storing loose cigars, and can be easily removed for presentation to your guests.

Features shown are model dependent. Product features may vary.

Liebherr's **WS 1200** offers premium wine storage in an attractive package to fit within any setting. This tabletop wine cabinet holds up to 12 Bordeaux bottles on solid beech wood shelving, and includes a drawer to store wine accessories, chocolates, or candies. The temperature of the cabinet can be set between 41°F and 68°F, making the WS 1200 suitable for storing reds, whites, and champagnes. Energy efficient LED lighting can be controlled with a dimming function creating the perfect atmosphere without affecting the temperature of the wines.

The **XS 200** humidor creates the perfect environment for your finest cigars with the proper balance of humidity and temperature. Humidity can be set from 68 to 75 percent, where moisture is supplied from a removable distilled water container. The storage cabinet can be set from 61°F to 68°F, depending on the owner's preference. This humidor includes LED lighting with dimmer function, emitting virtually no heat, meaning cigars can be exposed to light for long periods of time without damage. The XS 200's two presentation boxes and shelves are crafted from Spanish cedar wood, and vary in height for additional storage options. The wooden presentation boxes are perfect for storing loose cigars, and can be easily removed for presentation to your guests.

**WS 1200 GrandCru**

LED	Wine	Smart Steel
-----	------	-------------

**Capacity**

Total capacity cu.ft. (l)	1.4 (38)
Max. No. of Bordeaux btls 0.75 l	12

<b>Temperature range °F (°C)</b>	+41 to +68 (+5 to +20)
----------------------------------	------------------------

<b>Shipping weight lbs. (kg)</b>	79.4 (36)
----------------------------------	-----------

<b>Climate rating</b>	SN
-----------------------	----

<b>Sound rating dB(A)*</b>	42
----------------------------	----

<b>Door hinges</b>	right
--------------------	-------

**Product dimensions**

in inch H/W/D	24 1/8" / 16 3/4" / 18 7/8"
in cm H/W/D	61.2/42.5/47.8

<b>Energy supply Voltage V/Hz</b>	115/60
-----------------------------------	--------

**XS 200 Humidor**

LED	Cigar	Smart Steel
-----	-------	-------------

**Capacity**

Total capacity cu.ft. (l)	1.4 (39)
<b>Temperature range °F (°C)</b>	+61 to +68 (+16 to +20)

<b>Shipping weight lbs. (kg)</b>	81.6 (37)
----------------------------------	-----------

<b>Climate rating</b>	N
-----------------------	---

<b>Sound rating dB(A)*</b>	42
----------------------------	----

<b>Door hinges</b>	right
--------------------	-------

**Product dimensions**

in inch H/W/D	24 1/8" / 16 3/4" / 18 7/8"
in cm H/W/D	61.2/42.5/47.8

<b>Energy supply Voltage V/Hz</b>	115/60
-----------------------------------	--------

**Accessories**

Charcoal filter	7440 699
-----------------	----------

\* Noise level – sound power re 1pW – according to EN 60704-3.



For individual models WS 1200 and XS 200

Liebherr USA, Co.  
Refrigerators & Freezers Division

Subject to modification. For up-to-date information, visit [home.liebherr.com](http://home.liebherr.com). Printed in Canada 2017.

[home.liebherr.com](http://home.liebherr.com)