



PITT
COOKING

August 2020

LA CUISINE
INTERNATIONAL

from the heart of

Holland

Meet PITT cooking: gas burners arranged your way on your countertop.

The pursuit of culinary perfection. Let creativity in the kitchen soar! A powerful flame for effortless cooking. Finally enough space for all your pots and pans. Your kitchen. Your showplace.

A perfect marriage of function and design.
Made in Holland.



made by hand

Every PITT cooking burner system is carefully made by hand in de Meern, a small village close to Amsterdam. Office, production facility and showroom are all together under one roof. The PITT cooking team is one family. A team dedicated to providing the finest quality products and service.

What is PITT cooking?

Powerful gas burners directly installed onto your countertop.

- An integrated (gas) cooking system.
- Robust cast iron grates
- A range of burners: from simmer to stir fry, low flame to high flame
- Plenty of space between burners
- Suitable for your favorite countertop material
- Safe and certified
- Made by hand in the Netherlands





Why choose PITT cooking?

Quality and safety.

PITT cooking has been granted KIWA GASTEC QA certification. This certification offers users certainty that their (gas) product complies with stringent requirements for quality, function and safety.

PITT cooking offers a full five year guarantee on the gas cooking system.



Why choose PITT cooking?

Flame control.

Back to the beginning of time, cooking with fire. Real cooking the way it was always meant to be. The pure joy of culinary creativity!

You will have infinite control over the flame. Air flow from above provides for superior burner performance: a responsive, powerful and efficient flame.



▶ Wok burner



Why choose PITT cooking?

Easy to clean.

Never again dread cleaning up the stove. Since there are no edges and crannies there is only a smooth countertop to clean. So PITT cooking provides easy cooking as well as easy clean up!



Control knobs

Top Side.

PITT cooking models with Top Side controls have the control knobs installed on the surface of the countertop.

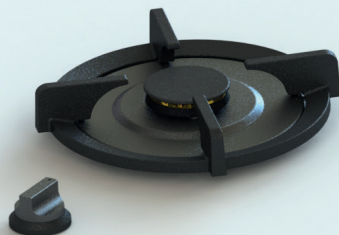
- Aluminum knob
- Minimalist design
- Soft touch surface
- Silky feel





Akan

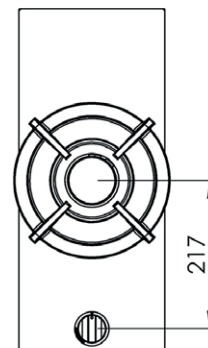
Top Side



Model name	Akan (Top Side)
Output	1x 2 kW
Measurements of unit	L: 503 W: 213 H: 89 mm
Total height	119 mm (incl. supports)
Min. cabinet width	300 mm
Min. counter depth	600 mm
Countertop thickness	4 - 35 mm
Gas	Natural Gas / LPG (Propane)
Edition	Professional
SKU	51.05.05.104

Top view | Akan Top Side

Complete technical documentation available
via QR-code located above, left

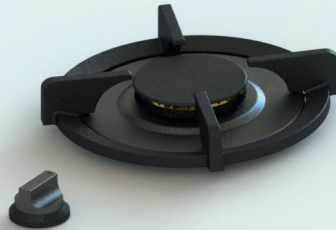


Technical doc.



Altar

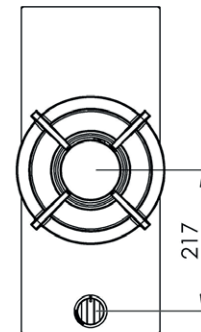
Top Side



Model name	Altar (Top Side)
Output	1x 3 kW
Measurements of unit	L: 503 W: 213 H: 89 mm
Total height	119 mm (incl. supports)
Min. cabinet width	300 mm
Min. counter thickness	600 mm
Countertop thickness	4 - 35 mm
Gas	Natural Gas / LPG (Propane)
Edition	Professional
SKU	51.05.05.105

Top view | Altar Top Side

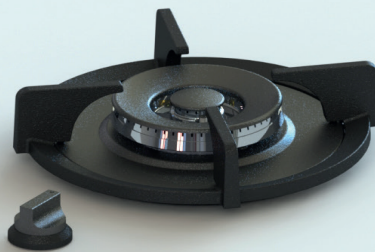
Complete technical documentation available
via QR-code located above, left





Azuma

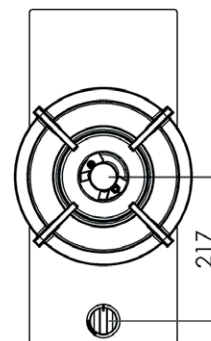
Top Side



Model name	Azuma (Top Side)
Output	1x 0,2-5 kW
Measurements of unit	L: 503 W: 213 H: 89 mm
Total height	119 mm (incl. supports)
Min. cabinet width	300 mm
Min. counter depth	600 mm
Countertop thickness	4 - 35 mm
Gas	Natural Gas / LPG (Propane)
Edition	Professional
SKU	51.05.05.106

Top view | Azuma Top Side

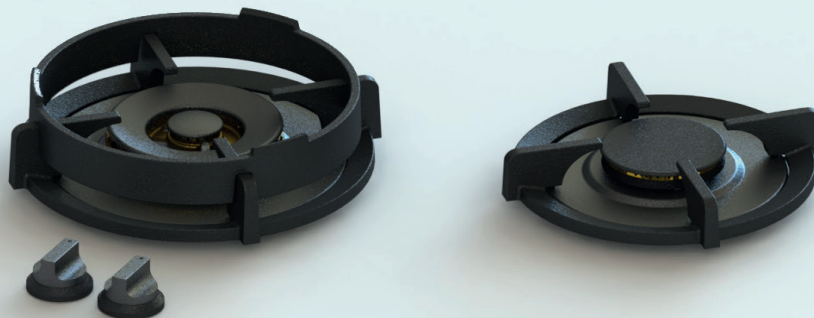
Complete technical documentation available
via QR-code located above, left





Baluran

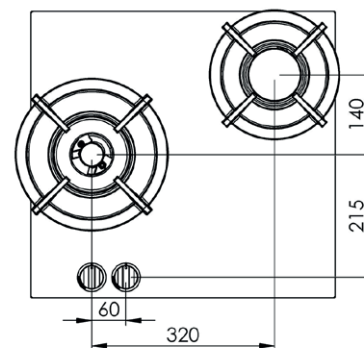
Top Side



Model name	Baluran (Top Side)
Output	1x 3 kW, 1x 0,2-5 kW
Measurements of unit	L: 503 W: 533 H: 89 mm
Total height	119 mm (incl. supports)
Min. cabinet width	600 mm
Min. counter depth	600 mm
Countertop thickness	4 - 35 mm
Gas	Natural Gas / LPG (propane)
Edition	Professional
SKU	51.05.05.126

Top view | Baluran Top Side

Complete technical documentation available
via QR-code located above, left

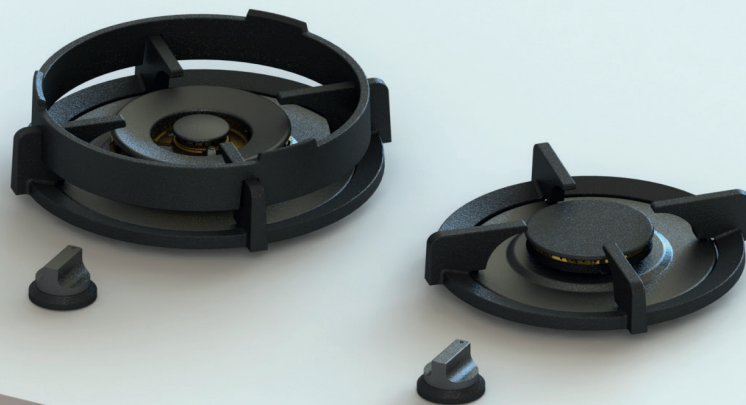


Technical doc.



Baula

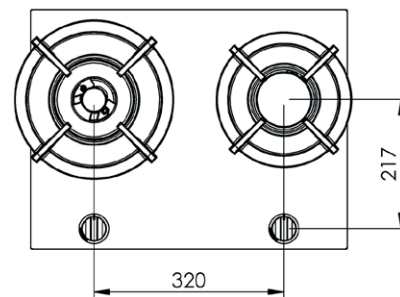
Top Side



Model name	Baula (Top Side)
Output	1x 3 kW, 1x 0,2-5 kW
Measurements of unit	L: 403 W: 533 H: 89 mm
Total height	119 mm (incl. supports)
Min. cabinet width	600 mm
Min. counter depth	600 mm
Countertop thickness	4 - 35 mm
Gas	Natural Gas / LPG (Propane)
Edition	Professional
SKU	51.05.05.128

Top view | Baula Top Side

Complete technical documentation available via QR-code located above, left

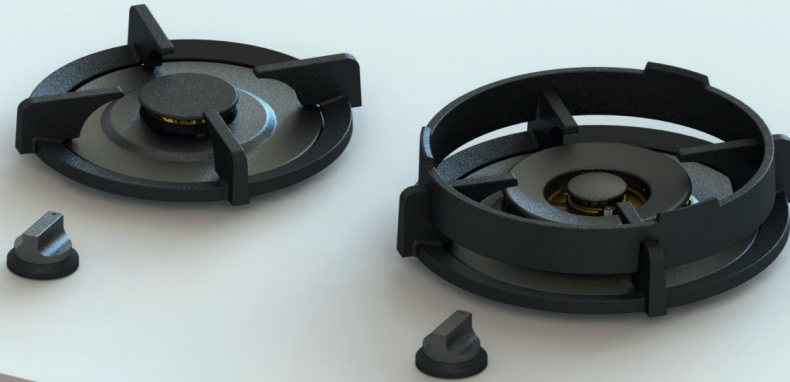


Technical doc.



Bely

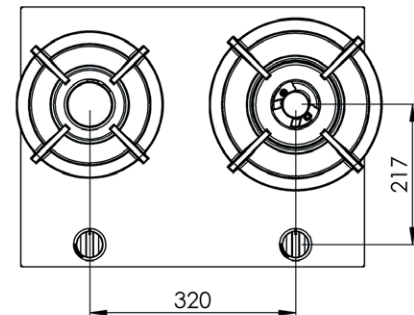
Top Side



Model name	Bely (Top Side)
Output	1x 2 kW, 1x 0,2-5 kW
Measurements of unit	L: 403 W: 533 H: 89 mm
Total height	119 mm (incl. supports)
Min. cabinet width	600 mm
Min. counter depth	600 mm
Countertop thickness	4 - 35 mm
Gas	Natural Gas / LPG (Propane)
Edition	Professional
SKU	51.05.05.129

Top view | Bely Top Side

Complete technical documentation available via QR-code located above, left

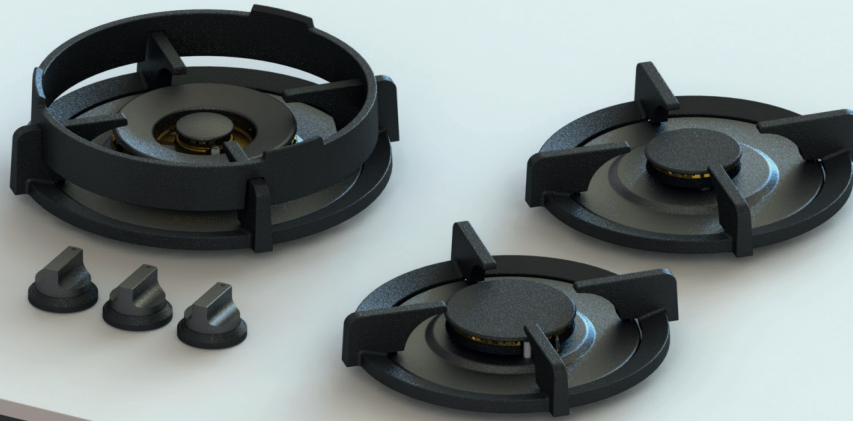


Technical doc.



Cima

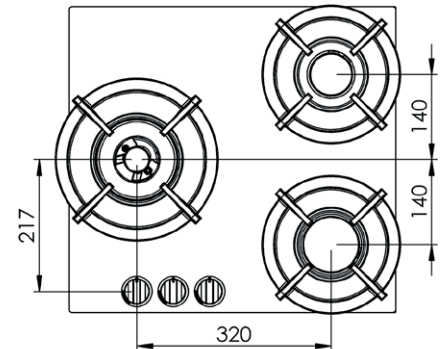
Top Side



Model name	Cima (Top Side)
Output	1x 2 kW, 1x 3 kW, 1x 0,2-5 kW
Measurements of unit	L: 503 W: 533 H: 89 mm
Total height	119 mm (incl. supports)
Min. cabinet width	600 mm
Min. counter depth	600 mm
Countertop thickness	4 - 35 mm
Gas	Natural Gas / LPG (Propane)
Edition	Professional
SKU	51.05.05.110

Top view | Cima Top Side

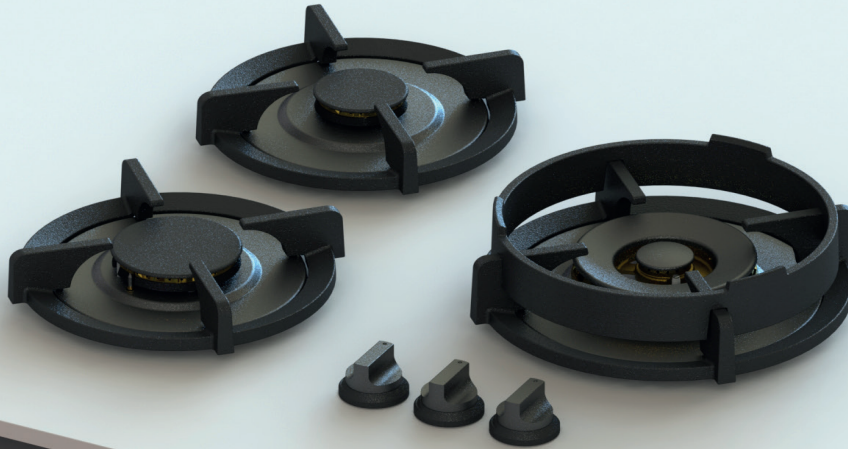
Complete technical documentation available
via QR-code located above, left



Technical doc.



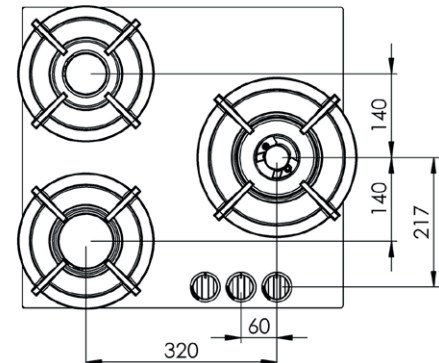
Capital Top Side



Model name	Capital (Top Side)
Output	1x 2 kW, 1x 3 kW, 1x 0,2-5 kW
Measurements of unit	L: 503 W: 533 H: 89 mm
Total height	119 mm (incl. supports)
Min. cabinet width	600 mm
Min. counter depth	600 mm
Countertop thickness	4 - 35 mm
Gas	Natural Gas / LPG (Propane)
Edition	Professional
SKU	51.05.05.109

Top view | Capital Top Side

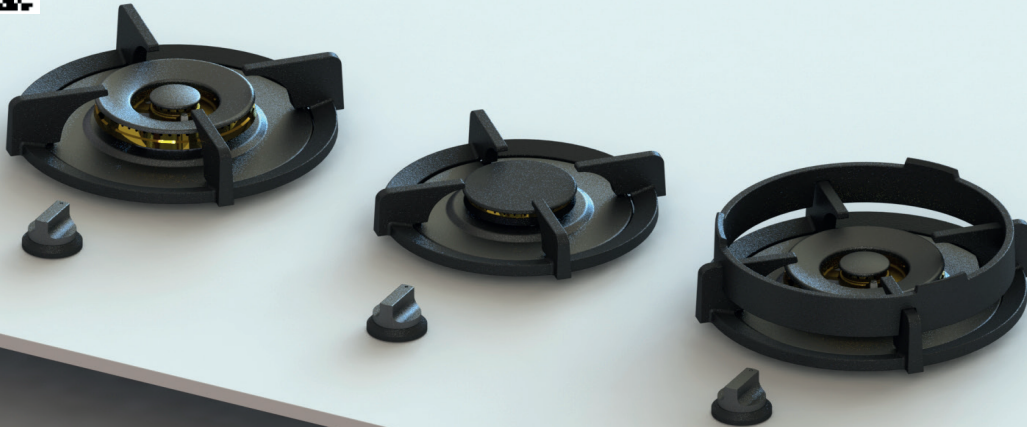
Complete technical documentation available
via QR-code located above, left



Technical doc.



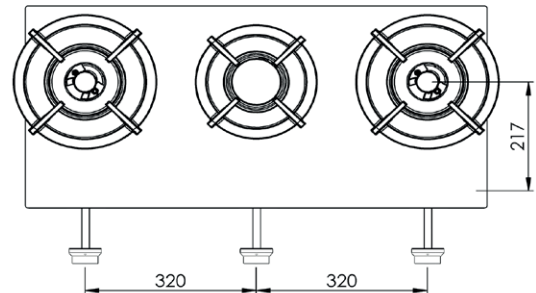
Cusin Top Side



Model name	Cusin (Top Side)
Output	1x 3 kW, 2x 0,2-5 kW
Measurements of unit	L: 403 W: 853 H: 89 mm
Total height	119 mm (incl. supports)
Min. cabinet width	900 mm
Min. counter depth	600 mm
Countertop thickness	4 - 35 mm
Gas	Natural Gas / LPG (Propane)
Edition	Professional
SKU	51.05.05.111

Top view | Cusin Top Side

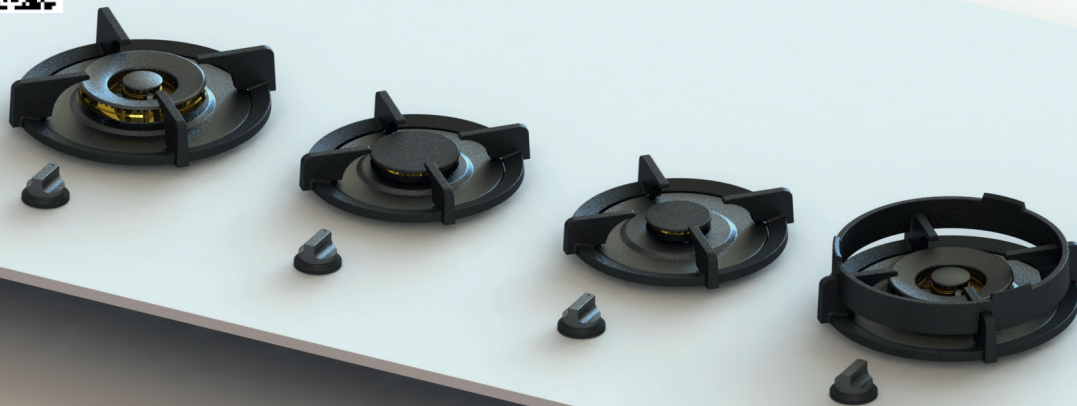
Complete technical documentation available
via QR-code located above, left





Danau

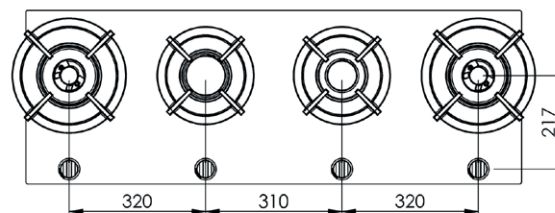
Top Side



Model name	Danau (Top Side)
Output	1x 2 kW, 1x 3 kW, 2x 0,2-5 kW
Measurements of unit	L: 403 W: 1157 H: 89 mm
Total height	119 mm (incl. supports)
Min. cabinet width	1200 mm
Min. counter depth	600 mm
Countertop thickness	4 - 35 mm
Gas	Natural Gas / LPG (Propane)
Edition	Professional
SKU	51.05.05.113

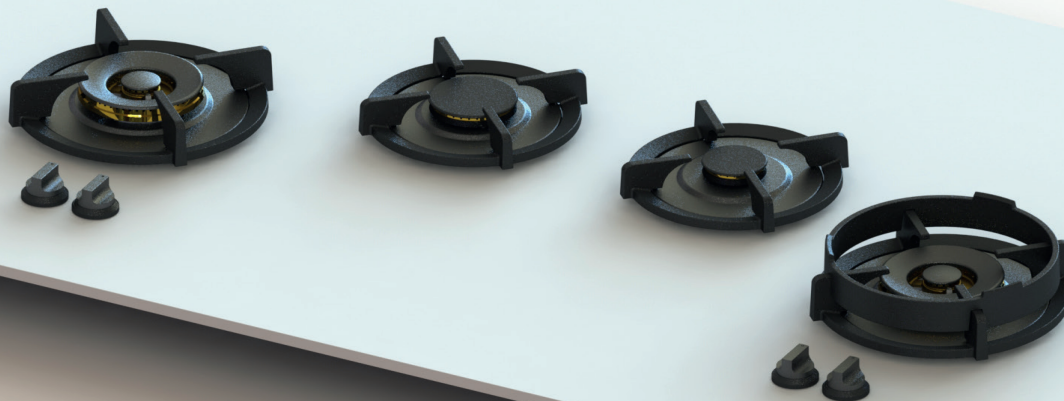
Top view | Danau Top Side

Complete technical documentation available
via QR-code located above, left





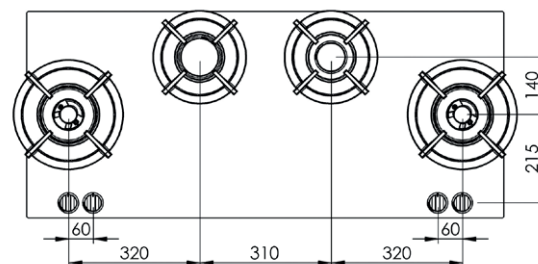
Drum Top Side



Model name	Drum (Top Side)
Output	1x 2 kW, 1x 3 kW, 2x 0,2-5 kW
Measurements of unit	L: 503 W: 1157 H: 89 mm
Total height	119 mm (incl. supports)
Min. cabinet width	1200 mm
Min. counter depth	600 mm
Countertop thickness	4 - 35 mm
Gas	Natural Gas / LPG (Propane)
Edition	Professional
SKU	51.05.05.114

Top view | Drum Top Side

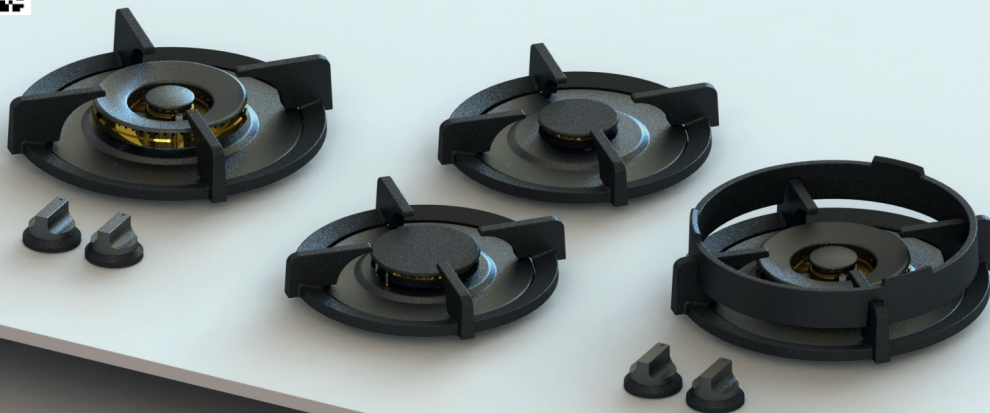
Complete technical documentation available
via QR-code located above, left





Dempo

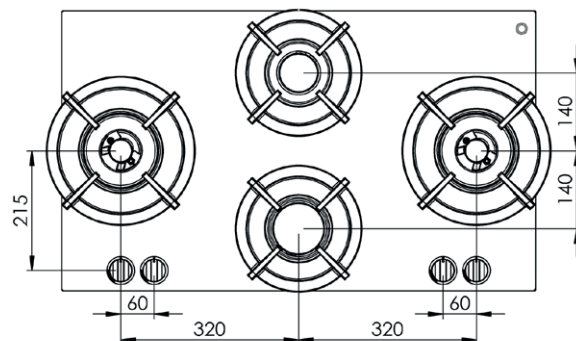
Top Side



Model name	Dempo (Top Side)
Output	1x 2 kW, 1x 3 kW, 2x 0,2-5 kW
Measurements of unit	L: 503 B: 853 H: 89 mm
Total height	119 mm (incl. supports)
Min. cabinet width	900 mm
Min. counter depth	600 mm
Countertop thickness	4 - 35 mm
Gas	Natural Gas / LPG (Propane)
Edition	Professional
SKU	51.05.05.112

Top view | Dempo Top Side

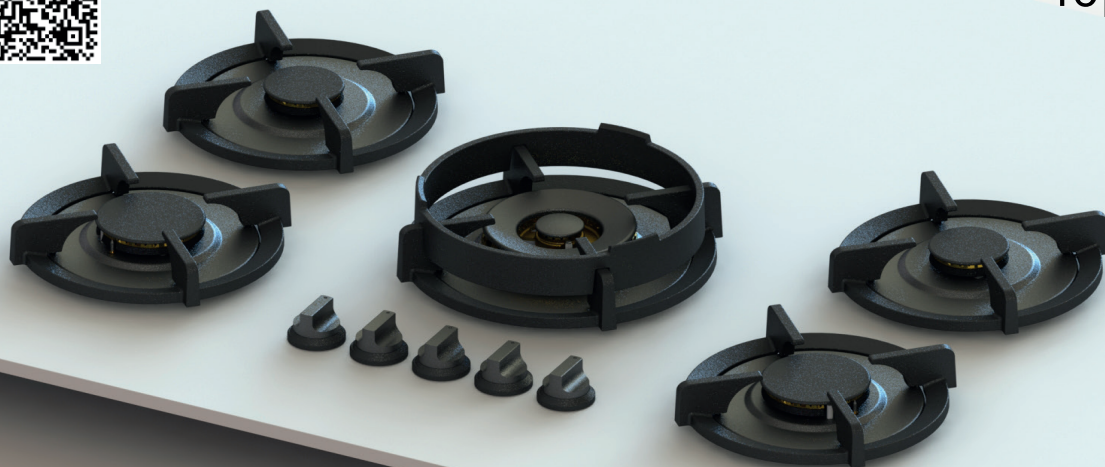
Complete technical documentation available
via QR-code located above, left



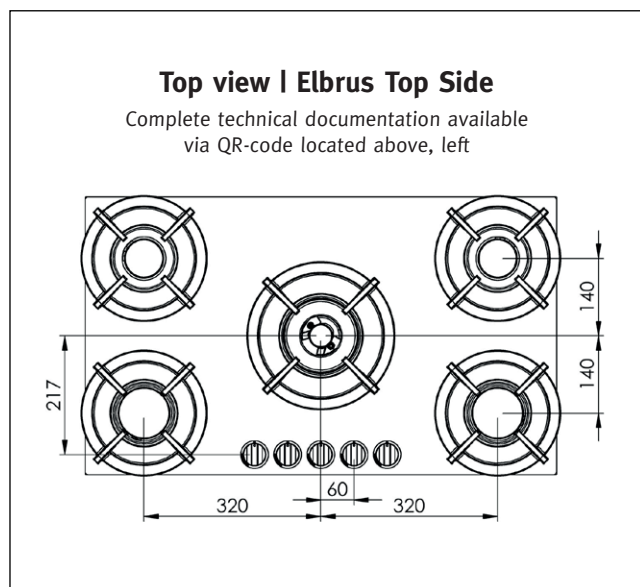


Elbrus

Top Side



Model name	Elbrus (Top Side)
Output	2x 2 kW, 2x 3 kW, 1x 0,2-5 kW
Measurements of unit	L: 503 B: 853 H: 89 mm
Total height	119 mm (incl. supports)
Min. cabinet width	900 mm
Min. counter depth	600 mm
Countertop thickness	4 - 35 mm
Gas	Natural Gas / LPG (Propane)
Edition	Professional
SKU	51.05.05.115

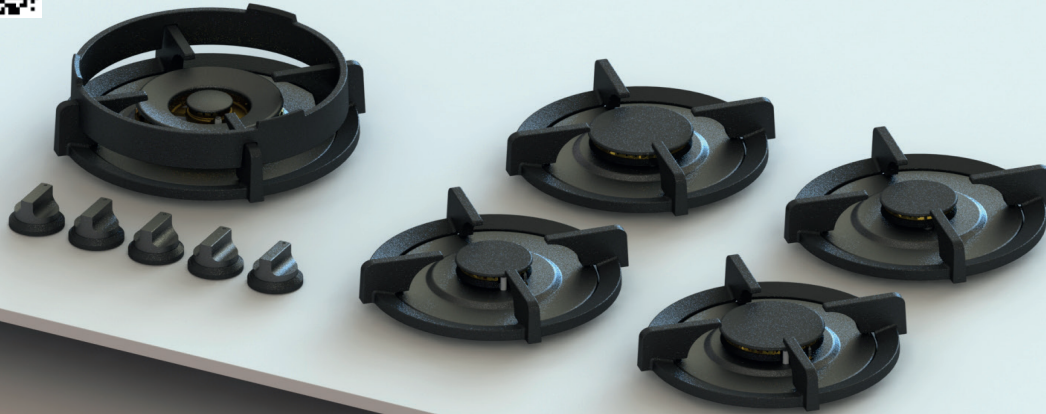


Technical doc.



Enep

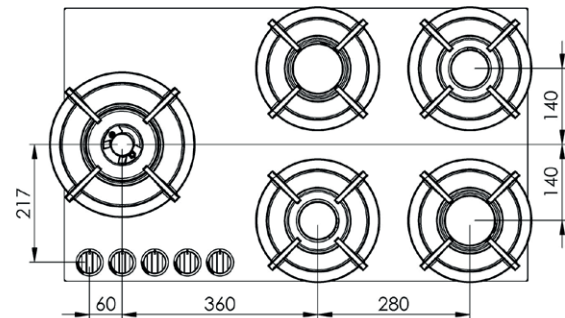
Top Side



Model name	Enep (Top Side)
Output	2x 2 kW, 2x 3 kW, 1x 0,2-5 kW
Measurements of unit	L: 503 B: 853 H: 89 mm
Total height	119 mm (incl. supports)
Min. cabinet width	900 mm
Min. counter depth	600 mm
Countertop thickness	4 - 35 mm
Gas	Natural Gas / LPG (Propane)
Edition	Professional
SKU	51.05.05.117

Top view | Enep Top Side

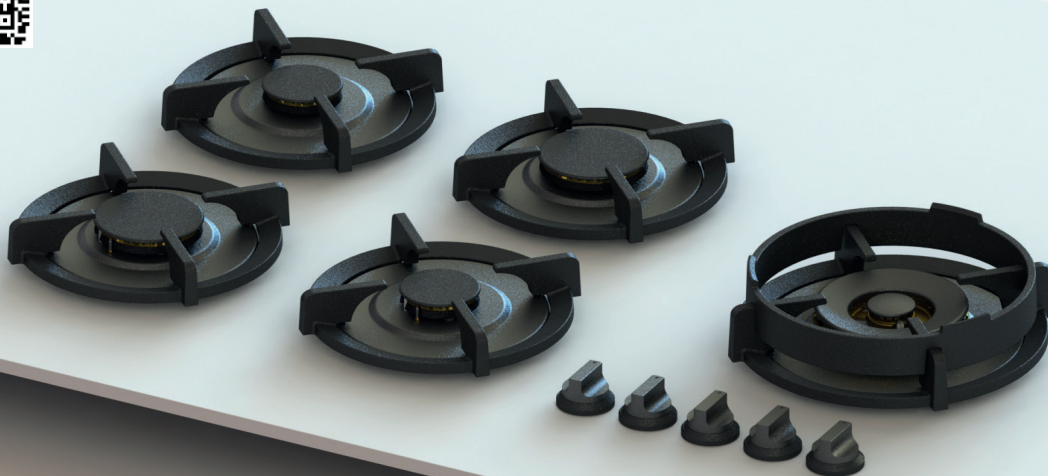
Complete technical documentation available
via QR-code located above, left



Technical doc.



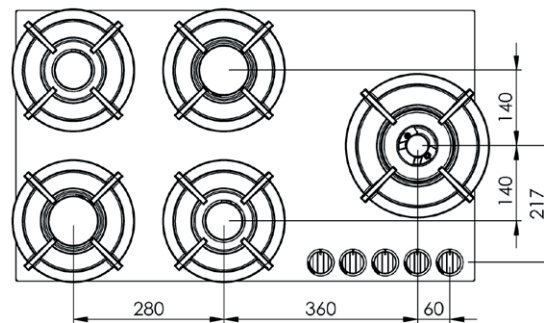
Ebeko Top Side



Model name	Ebeko (Top Side)
Output	2x 2 kW, 2x 3 kW, 1x 0,2-5 kW
Measurements of unit	L: 503 B: 853 H: 89 mm
Total height	119 mm (incl. supports)
Min. cabinet width	900 mm
Min. counter depth	600 mm
Countertop thickness	4 - 35 mm
Gas	Natural Gas / LPG (Propane)
Edition	Professional
SKU	51.05.05.116

Top view | Ebeko Top Side

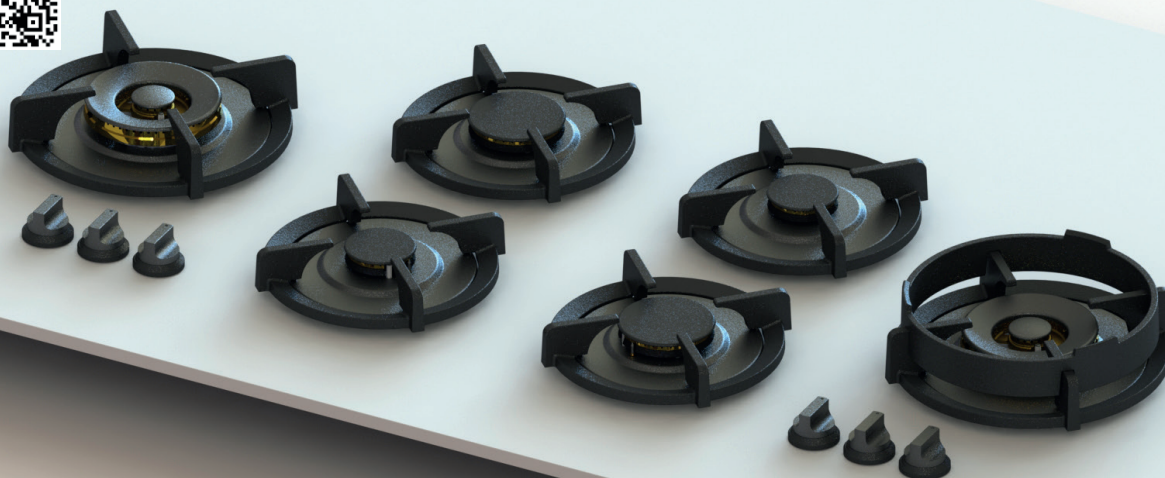
Complete technical documentation available
via QR-code located above, left





Foessa

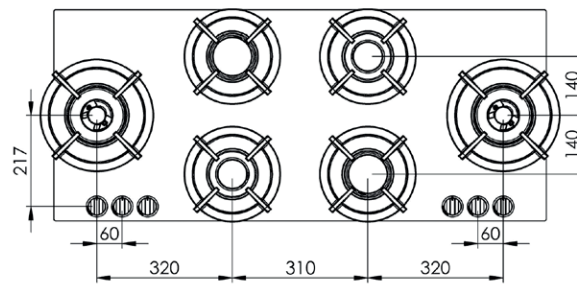
Top Side



Model name	Foessa (Top Side)
Output	2x 2 kW, 2x 3 kW, 2x 0,2-5 kW
Measurements of unit	L: 503 B: 1157 H: 89 mm
Total height	119 mm (incl. supports)
Min. cabinet width	1200 mm
Min. counter depth	600 mm
Countertop thickness	4 - 35 mm
Gas	Natural Gas / LPG (Propane)
Edition	Professional
SKU	51.05.05.124

Top view | Foessa Top Side

Complete technical documentation available
via QR-code located above, left

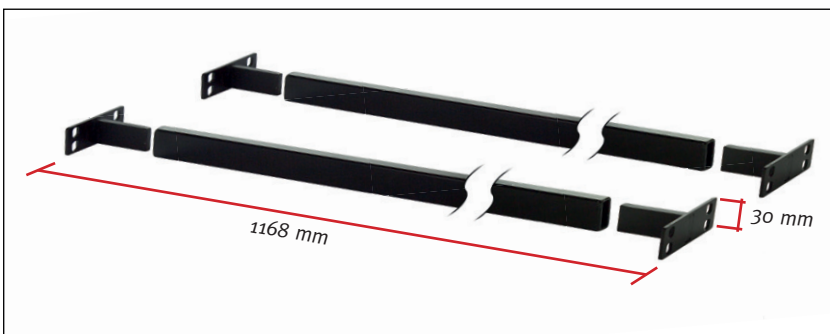
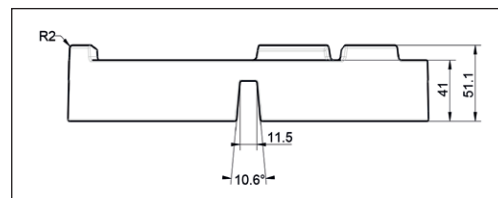




Wok ring

Included with every model that has 1 or more Simmer/Stir Fry burners.

Made of	Cast iron
Circumference	ø248 mm
Height	51,1 mm



Support bars

1 set included with every module.

Made of	Powder coated steel
Length	1168 mm
Height	30 mm

Downloads

Online documentation

The documents below can also be downloaded via our website:
www.pittcooking.com/downloads, section “For the dealer”.

Technical drawings per model

Technical drawings and cutout patterns specific to each model can be downloaded via the page for each model on our website. To access these, go to www.pittcooking.com/assortment. Then select the model desired.

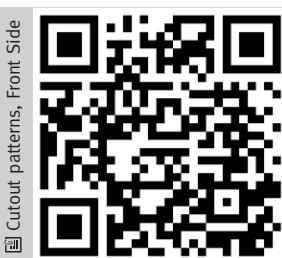
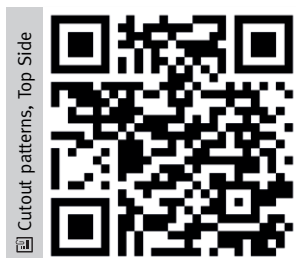
— Design and preparation



— Technical drawings



— Cutout patterns



Downloads

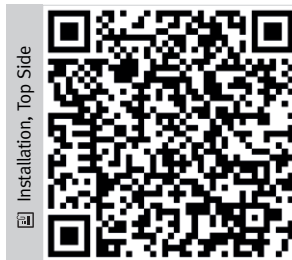
— Front Side: Measurements



— Installation: Front Side



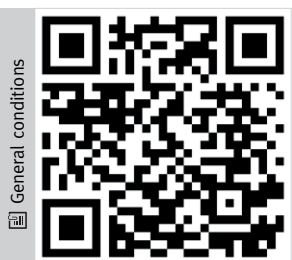
— Installation: Top Side



— Installation: Support bar



— General conditions & guarantee



— Changing orifices



