



LINEA



Smeg has been producing domestic appliances with the finest Italian design for more than 65 years, with a particular focus on aesthetics, ergonomics and functionality.

Today Smeg, originally an acronym for Smalterie Metallurgiche Emiliane Guastalla indicating its initial activities in enamel work and metallurgy, has reached its third generation of entrepreneurs and represents an international group with direct subsidiaries and distributors in all five continents.

From 1948



Made in Italy



LINEA AESTHETIC

The Linea aesthetic combines contemporary style with the latest design trends. Balance, simplicity, and ergonomics make it a sought after aesthetic, a true expression of Made in Italy.

STEEL, GLASS & ALUMINIUM

Environmental compliance requirements are taken into great consideration by Smeg during the design process. Special attention is made to the choice of materials used such as steel, glass and aluminium, which are all easily recyclable. The complete supply chain follows criteria for sustainability and Eco-compatibility.

To improve the environmental impact of Smeg products the company scrupulously follows European directives and applies strict internal regulations, in order to reduce the use of potentially harmful substances as much as possible during the production process.

ELEGANCE REFLECTED

The new Linea aesthetic harmoniously blends the elegance and fluidity of glass with the rigour and strength of steel, both elements are complimented by the chrome and backlit details of the control knobs.





NEW HANDLE, CONTROLS & GLASS

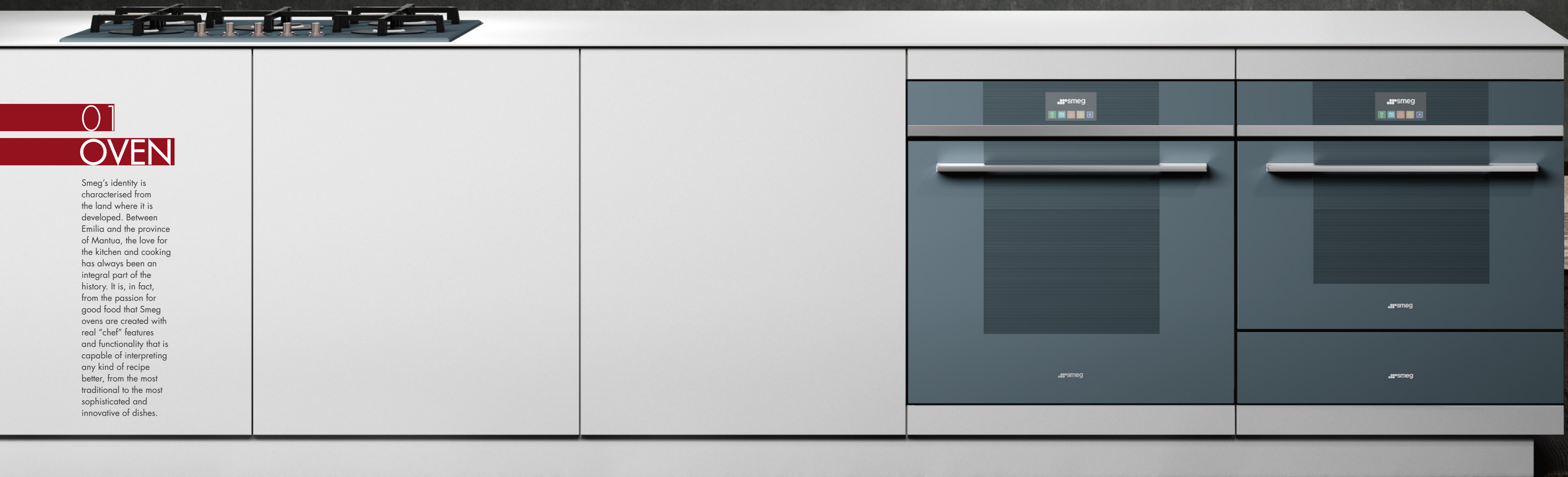
The new steel handle embellishes the aesthetics of the oven and is extremely ergonomic. The control knobs emphasise the refined look of the oven, without interrupting the elegant natural brightness.

When the oven light is on, the door glass is transparent, yet when it is off, it becomes mirrored glass again hiding the interior.

The new Linea aesthetic suits every ambience, reflecting surrounding shapes, colours and lights.

01 OVEN

Smeg's identity is characterised from the land where it is developed. Between Emilia and the province of Mantua, the love for the kitchen and cooking has always been an integral part of the history. It is, in fact, from the passion for good food that Smeg ovens are created with real "chef" features and functionality that is capable of interpreting any kind of recipe better, from the most traditional to the most sophisticated and innovative of dishes.



SMART STEAM PYROLYTIC MULTIFUNCTION OVEN



SFP6104STS Silver glass
EAN: 8017709257330



10 COOKING FUNCTIONS +2 CLEANING FUNCTIONS

5 SMART STEAM FUNCTIONS



Energy rating: A+
Interactive touch control easy guide colour LCD display
50 automatic programs
10 customisable recipes
5 Smart Steam programs
3 steam levels
Other functions: Defrost by time or weight, proving
Other options: Smartsense system, keep warm, eco light
Quadruple glazed door
Removable inner door glass
Electronic controls with child lock
Soft close door
Air cooling system
Closed door grilling
Pyrolytic cleaning
Easy clean enamel interior
Rapid pre-heating
Energy saving option - Ecologic
Metal side supports
5 cooking levels
2 x halogen lights (40W)

ACCESSORIES INCLUDED:

1 x extra deep tray (40mm deep)
2 x roasting/grill pans (20mm deep)
1 x chrome shelf
1 x grill mesh
1 x set of telescopic guide rails (total extraction)

Oven net capacity: 70 litres
Oven gross capacity: 79 litres

Nominal power: 3.00kW



SMART STEAM COOKING

New Smart Steam Smeg ovens *combine steam with traditional cooking*, for maximum flavour. Steam is injected directly into the cavity and distributed equally via the fan, *offering excellent results when cooking meat, bread and a variety of other foods.*

Smart Steam cooking allows you to reduce cooking times, keeps weight loss to a minimum and is a healthier way to cook.



SMART STEAM MULTIFUNCTION OVEN



SF6104STS Silver glass
EAN: 8017709258979



10 COOKING FUNCTIONS +1 CLEANING FUNCTION

5 SMART STEAM FUNCTIONS



Energy rating: A+
Interactive touch control easy guide colour LCD display
50 automatic programs
10 customisable recipes
5 Smart Steam programs
3 steam levels
Other functions: Defrost by time or weight, proving
Other options: Smartsense system, keep warm, eco light
Triple glazed door
Removable inner door glass
Electronic controls with child lock
Soft close door
Air cooling system
Closed door grilling
Vapor clean function
Easy clean enamel interior
Rapid pre-heating
Energy saving option - Ecologic
Metal side supports
5 cooking levels
2 x halogen lights (40W)

ACCESSORIES INCLUDED:

1 x extra deep tray (40mm deep)
2 x roasting/grill pans (20mm deep)
1 x chrome shelf
1 x grill mesh
1 x set of telescopic guide rails (total extraction)

Oven net capacity: 70 litres
Oven gross capacity: 79 litres

Nominal power: 3.00kW



SMART COOKING

The innovative *Smart Cooking* system with *colour touch control display*; provides *50 automatic programs and 10 customisable recipes*, that allow you to get excellent results. Recipes can be *prepared with ease, by selecting the type of food you are preparing, how it is cooked and how much it weighs*, ensuring it is cooked to perfection.



PYROLYTIC MULTIFUNCTION OVEN



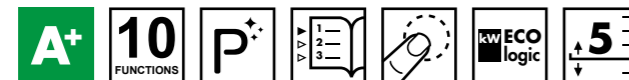
SFP6104TVS Silver glass
EAN: 8017709255367



SFP6104TVN Black
EAN: 8017709255374



SFP6104TVB White
EAN: 8017709255381



10 COOKING FUNCTIONS +2 CLEANING FUNCTIONS

Energy rating: A+
Interactive touch control easy guide colour LCD display
50 automatic programmes
10 customisable recipes
Other functions: Defrost by time or weight, proving
Other options: Smartsense system, keep warm, eco light
Quadruple glazed door
Removable inner door glass
Electronic controls with child lock
Soft close door
Air cooling system
Closed door grilling
Pyrolytic cleaning
Easy clean enamel interior
Rapid pre-heating
Energy saving option - Ecologic
Metal side supports
5 cooking levels
2 x halogen lights (40W)

ACCESSORIES INCLUDED:

1 x extra deep tray (40mm deep)
2 x roasting/grill pans (20mm deep)
1 x chrome shelf
1 x grill mesh
1 x set of telescopic guide rails (total extraction)

Oven net capacity: 70 litres
Oven gross capacity: 79 litres

Nominal power: 3.00kW



MAXIMUM ENERGY EFFICIENCY

Cutting-edge technological solutions and the optimised application of electronics allows the new ovens to reduce the energy consumption by 10% compared to models with an A rated energy class. Excellent cooking results are still guaranteed, as well considerable energy savings.



ECO-LOGIC

This option can be set to *restrict the power of the oven to just 2.3kW*. Cooking times are slightly increased in this mode, but with significant advantages for the environment and a chance to make a real energy saving.



CONSIDERATION FOR THE ENVIRONMENT

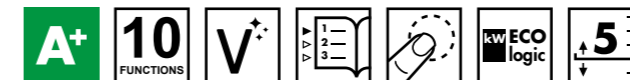
Sensitive with *respect to its customers* and aimed at *sustainable development*, Smeg has pursued policies which aim to consistently improve their value when it comes to *environmental sustainability* over many years. Smeg designs its household appliances while devoting an *important role to the integration of environmental requirements*.

Maximum attention is paid to the use of materials, such as steel, glass and aluminium, which can be easily reused through carefully differentiated recycling.

MULTIFUNCTION OVEN



SF6104TVS Silver glass
EAN: 8017709255398



10 COOKING FUNCTIONS + 1 CLEANING FUNCTION

Energy rating: A+
Interactive touch control easy guide colour LCD display
50 automatic programmes
10 customisable recipes
Other functions: Defrost by time or weight, proving
Other options: Smartsense system, keep warm, eco light
Triple glazed door
Removable inner door glass
Electronic controls with child lock
Soft close door
Air cooling system
Closed door grilling
Vapor clean function
Easy clean enamel interior
Rapid pre-heating
Energy saving option - Ecologic
Metal side supports
5 cooking levels
2 x halogen lights (40W)

ACCESSORIES INCLUDED:

1 x extra deep tray (40mm deep)
2 x roasting/grill pans (20mm deep)
1 x chrome shelf
1 x grill mesh
1 x set of telescopic guide rails (total extraction)

Oven net capacity: 70 litres
Oven gross capacity: 79 litres

Nominal power: 3.00kW



TOTAL FUNCTIONALITY

Scrupulous and careful design has allowed innovative solutions to be developed, reflecting sensitivity towards consumers who demand the maximum comfort when using the oven.



On all models with cooler touch door, the temperature of the door does not exceed 50°C, thanks to reflective glass and air cooling system.

With the new addition of Soft close doors, the door closes smoothly and silently without slamming, regardless of the force behind it.

PYROLYTIC MULTIFUNCTION OVEN



SFP6102TVS Silver glass
EAN: 8017709252960



SFP6102TVN Black
EAN: 8017709252977



SFP6102TVB White
EAN: 8017709252984



9 COOKING FUNCTIONS+2 CLEANING FUNCTIONS

Energy rating: A+
Large LCD display & illuminated controls
20 automatic programmes
Other functions: Defrost by time or weight, proving
Quadruple glazed door
Removable inner door glass
Electronic controls with child lock
Soft close door
Air cooling system
Closed door grilling
Pyrolytic cleaning
Easy clean enamel interior
Rapid pre-heating
Energy saving option - Ecologic
Metal side supports
5 cooking levels
1 x halogen light (40W)

ACCESSORIES INCLUDED:

1 x extra deep tray (40mm deep)
2 x roasting/grill pans (20mm deep)
1 x chrome shelf
1 x grill mesh
1 x set of telescopic guide rails (total extraction)

Oven net capacity: 70 litres
Oven gross capacity: 79 litres

Nominal power: 3.00kW



SF6102TVS Silver glass
EAN: 8017709252816



SF6102TVN Black
EAN: 8017709252496



SF6102TVB White
EAN: 8017709252823



9 COOKING FUNCTIONS+1 CLEANING FUNCTION

Energy rating: A+
Large LCD display & illuminated controls
20 automatic programmes
Other functions: Defrost by time or weight, proving
Triple glazed door
Removable inner door glass
Electronic controls with child lock
Soft close door
Air cooling system
Closed door grilling
Vapor clean function
Easy clean enamel interior
Rapid pre-heating
Energy saving option - Ecologic
Metal side supports
5 cooking levels
1 x halogen light (40W)

ACCESSORIES INCLUDED:

1 x extra deep tray (40mm deep)
2 x roasting/grill pans (20mm deep)
1 x chrome shelf
1 x grill mesh
1 x set of telescopic guide rails (total extraction)

Oven net capacity: 70 litres
Oven gross capacity: 79 litres

Nominal power: 3.00kW

MULTIFUNCTION PIZZA OVEN



SF6102PZS Silver glass
Codice EAN: 8017709252953



10 COOKING FUNCTIONS + 1 CLEANING FUNCTION

Energy rating: A+
Large LCD display & illuminated controls
20 automatic programmes
Other functions: Defrost by time or weight, proving
Triple glazed door
Removable inner door glass
Electronic controls with child lock
Soft close door
Air cooling system
Closed door grilling
Vapor clean function
Easy clean enamel interior
Rapid pre-heating
Energy saving option - Ecologic
Metal side supports
5 cooking levels
2 x halogen lights (40W)

ACCESSORIES INCLUDED:

1 x extra deep tray (40mm deep)
1 x chrome shelf
1 x grill mesh
1 x pizza stone, cover and shovel

Oven net capacity: 65 litres
Oven gross capacity: 79 litres

Nominal power: 3.00kW



COOKING PIZZA

A special *refractory stone*, placed above the circular resistance at the bottom of the oven, allows *pizza to be cooked evenly in only 3-4 minutes*. The refractory stone can also be used to cook focaccia breads, savoury pies, vegetables and seafood.



FIND OUT MORE
ABOUT THE EXCLUSIVE PIZZA SYSTEM

PYROLYTIC MULTIFUNCTION OVEN



SFP6101TVS Silver glass
EAN: 8017709253028



SFP6101TVN Black
EAN: 8017709253042



SFP6101TVB White
EAN: 8017709253059



9 COOKING FUNCTIONS + 2 CLEANING FUNCTIONS

Energy rating: A
Large LCD display & illuminated controls
20 automatic programmes
 Other functions: Defrost by time or weight, proving
 Quadruple glazed door
 Removable inner door glass
 Electronic controls with child lock
 Soft close door
 Air cooling system
 Closed door grilling
Pyrolytic cleaning
 Easy clean enamel interior
 Rapid pre-heating
 Energy saving option - Ecologic
 Metal side supports
 5 cooking levels
 1 x halogen light (40W)

ACCESSORIES INCLUDED:

1 x extra deep tray (40mm deep)
 1 x chrome shelf
 1 x grill mesh
 1 x set of telescopic guide rails (partial extraction)

Oven net capacity: 70 litres
 Oven gross capacity: 79 litres

Nominal power: 3.00kW



PYROLYSIS

For greater convenience when using the oven, certain models come with Pyrolysis, an *automatic cleaning function* which, thanks to the high temperatures achieved up to 500°C burns all dirt and grease found on the interior walls, *without the use of detergents*.



MULTIFUNCTION OVEN



SF6101TVS Silver glass
Codice EAN: 8017709252991



9 COOKING FUNCTIONS + 1 CLEANING FUNCTION

Energy rating: A
Compact LCD display
 Other functions: Defrost by time or weight, proving
 Triple glazed door
 Removable inner door glass
 Electronic controls with child lock
 Soft close door
 Air cooling system
 Closed door grilling
Vapor clean function
 Easy clean enamel interior
 Rapid pre-heating
 Energy saving option - Ecologic
 Metal side supports
 5 cooking levels
 1 x halogen light (40W)

ACCESSORIES INCLUDED:

1 x extra deep tray (40mm deep)
 1 x chrome shelf
 1 x grill mesh
 1 x set of telescopic guide rails (partial extraction)

Oven net capacity: 70 litres
 Oven gross capacity: 79 litres

Nominal power: 3.00kW

MULTIFUNCTION OVEN



SF6101VS Silver glass
Codice EAN: 8017709252502



7 COOKING FUNCTIONS + 1 CLEANING FUNCTION

Energy rating: A
Compact LCD display
 Other functions: Defrost by time or weight, proving
 Triple glazed door
 Removable inner door glass
 Electronic controls with child lock
 Soft close door
 Air cooling system
 Closed door grilling
Vapor clean function
 Easy clean enamel interior
 Rapid pre-heating
 Energy saving option - Ecologic
 Metal side supports
 5 cooking levels
 1 x halogen light (40W)

ACCESSORIES INCLUDED:

1 x extra deep tray (40mm deep)
 1 x chrome shelf
 1 x grill mesh
 1 x set of telescopic guide rails (partial extraction)

Oven net capacity: 70 litres
 Oven gross capacity: 79 litres

Nominal power: 3.00kW



SF6101VN Nero
Codice EAN: 8017709252939



SF6101VB Bianco
Codice EAN: 8017709252946



02

COMPACT OVENS & COFFEE MACHINES

A variety of compact Linea appliances are available; combination microwave ovens, combination steam ovens, and coffee machines, can all be combined with a warming drawer for extra versatility.

COMPACT COMBINATION STEAM OVEN



SF4104VCS Silver glass
EAN: 8017709255534



SF4104VCN Nero
EAN: 8017709255541



9 COOKING FUNCTIONS + 1 CLEANING FUNCTION

3 STEAM FUNCTIONS



- Energy rating: A+
Interactive touch control easy guide colour LCD display
50 automatic programmes
10 customisable recipes
Other functions: Defrost by time or weight, proving
Other steam functions: Tank cleaning, water outlet/input, descaling
Other options: keep warm, eco light
Triple glazed door
Removable inner door glass
Electronic controls with child lock
Soft close door
Air cooling system
Closed door grilling
Easy clean enamel interior
Rapid pre-heating
Energy saving option - Ecologic
Metal side supports
3 cooking levels
1 x halogen light (40W)
Vapor clean function

ACCESSORIES INCLUDED:

- 1 x extra deep tray (40mm deep)
- 1 x st/steel perforated deep tray (40mm deep)
- 1 x st/steel tray (20mm deep)
- 1 x chrome shelf
- 1 x grill mesh
- 1 x set of telescopic guide rails (partial extraction)

Oven net capacity: 41 litres
Oven gross capacity: 50 litres

Nominal power: 3.10kW



COMBINED STEAM COOKING

Combined steam ovens allow you to cook in three ways: steam only, combined with steam, or traditional, ensuring *maximum versatility in the kitchen*.

The oven is able to *automatically calculate* and load the right amount of water needed for the desired cooking use, avoiding any wastage. You can choose whether to *cook with 100% steam or when in combined mode*, by selecting the percentage best suited to your cooking needs, with an intensity which can range *from 30% to 70% steam*, for perfect results every time.



FIND OUT MORE
ABOUT STEAM COOKING

COMPACT COMBINATION STEAM OVEN



SF4102VCS Silver glass
EAN: 8017709254100



SF4102VCN Black
EAN: 8017709254117



9 COOKING FUNCTIONS + 1 CLEANING FUNCTION

3 STEAM FUNCTIONS



- Energy rating: A+
Large LCD display & illuminated controls
20 automatic programmes
Other functions: Defrost by time or weight, proving
Other steam functions: Tank cleaning, water outlet/input, descaling
Other options: keep warm, eco light
Triple glazed door
Removable inner door glass
Electronic controls with child lock
Soft close door
Air cooling system
Closed door grilling
Easy clean enamel interior
Rapid pre-heating
Energy saving option - Ecologic
Metal side supports
3 cooking levels
1 x halogen light (40W)
Vapor clean function

ACCESSORIES INCLUDED:

- 1 x extra deep tray (40mm deep)
- 1 x st/steel perforated deep tray (40mm deep)
- 1 x st/steel tray (20mm deep)
- 1 x chrome shelf
- 1 x grill mesh

Oven net capacity: 41 litres
Oven gross capacity: 50 litres

Nominal power: 3.10kW



HEALTHY COOKING

The *Re-heat function* allows you to heat previously cooked food which has been kept cool or in the fridge, whilst also *preserving the quality of the food*.

The combined steam ovens have *new full-width specific trays*, which can be inserted directly into the side supports or onto the telescopic rails.



COMPACT STEAM OVEN



SF4102VS Silver glass
Codice EAN: 8017709253929



2 STEAM COOKING FUNCTIONS

Energy rating: A+
Large LCD display & illuminated controls
20 automatic programmes
Other functions: Defrost by time or weight
Other options: keep warm, eco light
Triple glazed door
Removable inner door glass
Electronic controls with child lock
Soft close door
Closed door grilling
Easy clean enamel interior
Energy saving option - Ecologic
Metal side supports
3 cooking levels
1 x halogen light (40W)

ACCESSORIES INCLUDED:

1 x extra deep tray (40mm deep)
1 x chrome shelves
1 x grill mesh

Oven net capacity: 41 litres
Oven gross capacity: 50 litres

Nominal power: 2.10kW

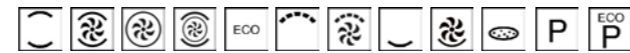
COMPACT PYROLYTIC PIZZA OVEN



SFP4102PZS Silver glass
EAN: 8017709255343



10 COOKING FUNCTIONS + 2 CLEANING FUNCTIONS



Energy rating: A+
Large LCD display & illuminated controls
20 automatic programmes
Other functions: Defrost by time or weight, proving
Other options: keep warm, eco light
Quadruple glazed door
Removable inner door glass
Electronic controls with child lock
Soft close door
Air cooling system
Closed door grilling
Easy clean enamel interior
Rapid pre-heating
Energy saving option - Ecologic
Metal side supports
3 cooking levels
1 x halogen light (40W)
Pyrolytic cleaning

ACCESSORIES INCLUDED:

1 x extra deep tray (40mm deep)
2 x chrome shelves
1 x grill mesh
1 x pizza stone, cover and shovel

Oven net capacity: 36 litres
Oven gross capacity: 50 litres

Nominal power: 3.10kW

COMPACT COMBINATION MICROWAVE OVEN



SF4104MCS Silver glass
EAN: 8017709255503



SF4104MCN Black
EAN: 8017709255510



9 COOKING FUNCTIONS + 1 CLEANING FUNCTION

4 MICROWAVE FUNCTIONS



Interactive touch control easy guide colour LCD display
50 automatic programmes
10 customisable recipes
Other functions: Defrost by time or weight, proving
Other options: keep warm, eco light
Triple glazed door
Electronic controls with child lock
Soft close door
Air cooling system
Closed door grilling
Easy clean enamel interior
Rapid pre-heating
Energy saving option - Ecologic
Metal side supports
3 cooking levels
2 x halogen lights (40W)
Vapor clean function

ACCESSORIES INCLUDED:

1 x set of telescopic guide rails (partial extraction)
1 x glass tray
1 x chrome shelf
1 x grill mesh

Oven net capacity: 40 litres
Oven gross capacity: 50 litres

Nominal power: 3.10kW



POWER & SPEED

The powerful 1000W microwave reduces cooking times significantly on combined functions, speeding up the time required for food preparation.

The wide cavity allows the performance of a traditional oven with the speed of a microwave. By removing the rotating plate, the internal surface space has been maximised fully.



COMPACT COMBINATION MICROWAVE OVEN



SF4102MCS Silver glass
EAN: 8017709253967



SF4102MCN Black
EAN: 8017709253974



9 COOKING FUNCTIONS + 1 CLEANING FUNCTION

4 MICROWAVE FUNCTIONS



Large LCD display & illuminated controls
20 automatic programmes

Other functions: Defrost by time or weight, proving
Other options: keep warm, eco light

Triple glazed door
Electronic controls with child lock
Soft close door
Air cooling system
Closed door grilling
Easy clean enamel interior
Rapid pre-heating
Energy saving option - Ecologic
Metal side supports
3 cooking levels
2 x halogen lights (40W)
Vapor clean function

ACCESSORIES INCLUDED:

1 x glass tray
1 x chrome shelf
1 x grill mesh

Oven net capacity: 40 litres
Oven gross capacity: 50 litres

Nominal power: 3.10kW



MICROWAVE

Smeg microwave ovens are the perfect solution for those who need to cook very quickly.

The combination of grill and microwave cooking allows perfect browning of the food, whilst the tilting grill at the top of the oven can be easily moved for cleaning.



COMPACT MICROWAVE OVEN WITH GRILL



SF4102MS Silver glass
EAN: 8017709254063



SF4102MN Black
EAN: 8017709254070



SF4102MB White
EAN: 8017709254087



5 MICROWAVE FUNCTIONS



Large LCD display & illuminated controls

Other functions: Defrost by time or weight

Other options: eco light, quick start

Triple glazed door

Electronic controls with child lock

Soft close door

Air cooling system

Closed door grilling

Easy clean enamel interior

Rapid pre-heating

Energy saving option - Ecologic

Tilting grill

Metal side supports

3 cooking levels

1 x halogen light (40W)

ACCESSORIES INCLUDED:

1 x chrome shelf
1 x crisper plate

Microwave power: 1000W

Oven net capacity: 40 litres

Oven gross capacity: 50 litres

Nominal power: 3.30kW

COMPACT MICROWAVE OVEN WITH GRILL



SF4101MS Silver glass
EAN: 8017709253622



4 MICROWAVE FUNCTIONS



Compact LCD display

Other functions: Defrost by time or weight

Other options: eco light, quick start

Triple glazed door

Electronic controls with child lock

Air cooling system

Closed door grilling

Easy clean enamel interior

Rapid pre-heating

Energy saving option - Ecologic

Tilting grill

Metal side supports

3 cooking levels

1 x halogen light (40W)

ACCESSORIES INCLUDED:

1 x chrome shelf

Microwave power: 1000W

Oven net capacity: 40 litres

Oven gross capacity: 50 litres

Nominal power: 3.30kW

MICROWAVE OVEN WITH GRILL



MP122S1 Silver glass
EAN: 8017709250140



MP122N1 Black
EAN: 8017709250171



MP122B1 White
EAN: 8017709250157



4 FUNCTIONS



Controls positioned at the bottom

Side opening door

Electronic timer

Quartz grill: 1.2kW

Microwave output: 850W

St/steel interior

Tilting grill

Ceramic base

Air cooling system

Automatic calculation of defrosting by time or weight

Child safety lock

ACCESSORIES INCLUDED:

1 x chrome grill support

Microwave power: 850W

Oven net capacity: 22 litres

Oven gross capacity: 23 litres

Nominal power: 2.50kW



CERAMIC BASE

The ceramic coating on the base of the oven allows the entire cavity to be used without any limitations and heat is consistent as it comes from underneath.

As a result, food is heated more evenly and less energy is lost.



MICROWAVE OVEN WITH GRILL



FMI120S1 Silver glass
EAN: 8017709250072



FMI120N1 Black
EAN: 8017709250102



FMI120B1 White
EAN: 8017709250089



3 FUNCTIONS



Touch control

3 automatic programmes

Other functions: Defrost by time, Defrost by weight

Other microwave options: Memory

Electronic timer

Quartz grill: 1.0kW

Quick start option

Microwave output: 800W

St/steel interior

Air cooling system

Child safety lock

1 x light (25W)

ACCESSORIES INCLUDED:

1 x Frame

1 x shelf

1 x turntable

Oven net capacity: 20 litres

Oven gross capacity: 21 litres

Nominal power: 1.20kW

AUTOMATIC COFFEE MACHINE & CAPPUCCINO MAKER



CMS4101S Silver Glass
EAN: 8017709249878



CMS4101N Black
EAN: 80177092499892



CMS4101B White
EAN: 8017709249885



Coffee function: regular or double (1 or 2 cups at the same time)
Hot water function: for tea or other hot drinks
Steam function: for cappuccino
Automatic cappuccino maker with separate tank for milk

LCD display & illuminated controls

30 automatic programmes

5 coffee strength levels
Programmable automatic switch-on
Automatic rinsing (at every switch on/off)
3 adjustable coffee temperatures
3 adjustable coffee lengths
Height adjustable coffee spout
Beans or ground coffee option
Removable milk jug
Adjustable cappuccino foam & frothing nozzle
Drip tray
2 x lights
Pump pressure: 15 bar

Capacity of water tank: 1.80 litres
Capacity of coffee bean container: 220g

Nominal power: 1.35kW



COFFEE BREAK

Once *the type of coffee* has been selected (espresso or long) and the selection of one or 2 cups at the same time, *the machine automatically performs all necessary activities to create expertly flavoursome coffee.*

There is also an *automatic cappuccino-maker* that will whisk milk into a delicate foam and deliver it directly into the cup.



WARMING DRAWER



CPR115S Silver glass
EAN: 8017709241353



CPR115N Black
EAN: 8017709250324



CPR115B White
EAN: 8017709250331

15cm height

Temperature range 30- 80°C
Push-pull mechanism (no handle)
Capacity: 21 litres
Non slip drawer liner
Keep warm, reheating, defrost, proving, cup warmer, dish warmer
Power heating element: 400W

Maximum load weight 15kg (inside drawer)/ 85kg (above the drawer)

STORAGE DRAWER



CP115S Silver glass
Codice EAN: 8017709250362

15cm height

Push-pull mechanism (no handle)
Capacity: 22 litres
Non slip drawer liner

Maximum load weight 15kg (inside drawer)/ 85kg (above the drawer)

03

WINE COOLERS

Italy has the widest and most diversified wine production in the world. The charm of this sector, and the importance of ensuring wine is properly conserved, have compelled Smeg to develop a range of high quality wine coolers. They perform with optimal temperatures and correct levels of humidity allowing the user to create their very own "Enoteca" at home.



WIFI WINE COOLER



CVI118RWS2 Silver glass
Right hand hinged
EAN: 8017709253363



CVI118RWN2 Black
Right hand hinged
EAN: 8017709253400

ALSO AVAILABLE IN LEFT HAND VERSIONS:

CVI118LWS2 Silver glass
Left hand hinged
EAN: 8017709253370

CVI118LWN2 Black
Left hand hinged
EAN: 8017709253417



WIFI connectivity
External LCD touch control display

Controlled via the Smeg Connect APP
Anti-UV door glass
Push-pull mechanism (no handle)
Fan
Temperature alarm
Door open alarm
Child lock
Active charcoal filter
Anti vibration compressor

Net capacity: 46 litres
Maximum storage capacity: 18 bottles
Automatic defrost
Temperature range from 5 °C to 20° C
LED light
2 x removable slavonian oak wooden shelves on telescopic rails
1 x fixed shelf



SMART WINE COOLERS

Smeg Connect is the new Smeg APP that allows you to access your own wine cooler wines quickly and intuitively, via *wifi connection and smartphones or tablets.*



FIND OUT MORE
ON THE **SMEGCONNECT APP**

SOMMELIER DRAWER



CPS115S Silver glass
EAN: 8017709250379



CPS115N Black
EAN: 8017709253073

15cm height

Push-pull mechanism (no handle)
Capacity: 22 litres
Non slip drawer liner

Maximum load weight 15kg (inside drawer)/ 85kg (above the drawer)

UNDER COUNTER WIFI WINE COOLER



CVI138RWS2 Silver glass
Right hand hinged
EAN: 8017709264659



WIFI connectivity
External LCD touch control display

Controlled via the Smeg Connect APP
Anti-UV door glass
Fan
Temperature alarm
Door open alarm
Child lock
Active charcoal filter
Anti vibration compressor

Net capacity: 103 litres
Maximum storage capacity: 36 bottles
Automatic defrost
2 independent temperature zones
Temperature range from 5 °C to 20° C
LED light
3 x removable slavonian oak wooden shelves on telescopic rails
2 x fixed shelves

ALSO AVAILABLE IN LEFT HAND VERSIONS:

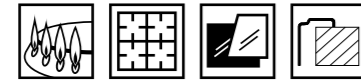
CVI138LWS2 Silver glass
Left hand hinged



04 HOBS

Thanks to powerful, precise and instant heat adjustment, Gas cooking still continues to be most used by chefs in the kitchen. Linea hobs are offered in a wide range of finishes and dimensions, to suit all kitchen requirements.

GLASS ON STEEL 5 BURNER GAS HOBS



5 gas burners:
 Front left: 1.10kW
 Rear left: 1.70kW
 Centre: Rapid burner 3.20kW
 Rear right: Rapid burner 2.60kW
 Front right: 1.70kW

PV175S2 Silver Glass
 EAN: 8017709254780

St/steel controls
 Flat design vertical flame burners
 Glass on steel



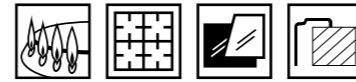
Heavy duty cast iron pan stands
 Automatic electronic ignition
 Safety valves
 Adaptable for LPG

PV175N2 Black
 EAN: 8017709254773



PV175B2 White
 EAN: 8017709254766

GLASS ON STEEL 4 BURNER GAS HOBS



4 gas burners:
 Front left: 1.70kW
 Rear left: 1.70kW
 Rear right: Rapid burner 3.00kW
 Front right: 1.10kW

PV164S2 Silver Glass
 EAN: 8017709253691

St/steel controls
 Flat design vertical flame burners
 Glass on steel



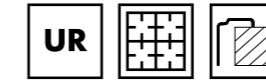
PV164N2 Black
 EAN: 8017709254742

Heavy duty cast iron pan stands
 Automatic electronic ignition
 Safety valves
 Adaptable for LPG



PV164B2 White
 EAN: 8017709254735

COOKING ON STEEL



PX175 - 5 burners
 Front left: 1.10kW
 Rear left: 2.60kW
 Centre: Ultra rapid 4.00kW
 Rear right: 1.80kW
 Front right: 1.80kW

PX175 St/steel, 5 burners
 Codice EAN: 8017709247423



PX175L - 5 burners
 Left: Ultra rapid 4.20kW
 Front left: 1.10kW
 Rear left: 1.80kW
 Rear right: 2.60kW
 Front right: 1.80kW

PX175L St/steel, 5 burners
 Codice EAN: 8017709247430

PX164L - 4 burners
 Left: Ultra rapid 3.50kW
 Front centre: 1.10kW
 Rear centre: 1.80kW
 Right: 2.60kW

St/steel controls

Heavy duty cast iron pan stands
 Automatic electronic ignition
 Safety valves
 Adaptable for LPG



PX164L St/steel, 4 burners
 Codice EAN: 8017709247416

COOKING ON STEEL



PX7502 - 5 burners
 Front left: 1.50kW
 Rear left: 1.70kW
 Centre: Ultra rapid 5.00kW
 Rear right: 3.00kW
 Front right: 1.70kW

PX7502 St/steel, 5 burners
 Codice EAN: 8017709254797



PX1402 - 4 burners
 Left: Ultra rapid 4.20kW
 Centre left: 1.05kW
 Centre right: 1.70kW
 Right: Rapid 3.00kW

St/steel controls

Heavy duty cast iron pan stands
 Automatic electronic ignition
 Safety valves
 Adaptable for LPG

PX1402 St/steel, 4 burners
 Codice EAN: 8017709253707

05

HOODS

Hoods play an important role in creating a healthy atmosphere in the kitchen. After just half an hour in operation, the hood ensures complete recirculation of the air, eliminating any odours or fumes produced from cooking.



90CM CHIMNEY HOOD



KS905SX2 St/steel & Silver glass
EAN: 8017709253646



KS905SNE2 St/steel & Black
EAN: 8017709254421



KS905SBE2 St/steel & White
EAN: 8017709254438



Touch control

FEATURES

3 speeds + intensive
2 x LED lights (1W)
Automatic switch off
3 x aluminium grease filters
Internal re-circulation possible
Vent outlet Ø 150mm
Non-return valve

Free outlet maximum capacity: 820 m³ / h
Motor power: 275 W
Noise level (IEC 60704-2-13): 50 dB (A)

ENERGY LABEL

Annual efficiency consumption (AEC): 57.2 kWh / year
Fluid dynamic efficiency class: A
Lighting efficiency class: A
Grease filter efficiency class: C
Weighted sound power emission at maximum speed (SPEmax): 65 dB (A)

OPTIONAL

KITFC906
Charcoal filter
EAN: 8017709064969

60CM CHIMNEY HOOD



KS605SX2 St/steel & Silver glass
EAN: 8017709257231



KS605SNE2 St/steel & Black
EAN: 8017709257224



KS605SBE2 St/steel & White
EAN: 8017709257217



Touch control

FEATURES

3 speeds + intensive
2 x LED lights (1W)
Automatic switch off
3 x aluminium grease filters
Internal re-circulation possible
Vent outlet Ø 150mm
Non-return valve

Free outlet maximum capacity: 820 m³ / h
Motor power: 275 W
Noise level (IEC 60704-2-13): 50 dB (A)

ENERGY LABEL

Annual efficiency consumption (AEC): 64.7 kWh / year
Fluid dynamic efficiency class: B
Lighting efficiency class: A
Grease filter efficiency class: C
Weighted sound power emission at maximum speed (SPEmax): 63 dB (A)

OPTIONAL

KITFC906
Charcoal filter
EAN: 8017709064969

90CM ISLAND HOOD



KI905NXE2 St/steel & Black
EAN: 8017709253882



Touch control

FEATURES

3 speeds + intensive
4 x LED lights (1W)
3 x aluminium grease filters
Internal re-circulation possible
Vent outlet Ø 150mm
Non-return valve

Free outlet maximum capacity: 820 m³ / h
Motor power: 275 W
Noise level (IEC 60704-2-13): 49 dB (A)

ENERGY LABEL

Annual efficiency consumption (AEC): 67.6 kWh / year
Fluid dynamic efficiency class: B
Lighting efficiency class: A
Grease filter efficiency class: C
Weighted sound power emission at maximum speed (SPEmax): 61 dB (A)

OPTIONAL

FLT6
Charcoal filter
EAN: 8017709176310



PERIMETER EXTRACTION

Hoods equipped with perimeter extraction offer an *optimal system of air filtration* and quieter operation. The air is forced through the gap between the panels that cover the filters. This high pressure of the air flow *results in an increased extraction rate and more fumes are removed.*



INTENSIVE SPEED

The intensive function allows the hood to work to its maximum potential, in order to eliminate the most resistant odours.



COMFORT MODE

The Comfort mode allows you to refresh the air for 10 minutes every hour, for a period of 24 hours at the minimum speed and an imperceptible noise level.

75CM ANGLED HOOD



KTS75SE2 *St/steel & Silver glass*
EAN: 8017709257279



Electronic control

FEATURES

Tilting glass panel
3 speeds + intensive
2 x LED lights (1W)
Automatic switch off
1 x St/steel grease filter
Internal re-circulation possible
Vent outlet Ø 150mm
Non-return valve

Free outlet maximum capacity: 750 m³ / h
Motor power: 275 W
Noise level (IEC 60704-2-13): 56 dB (A)

ENERGY LABEL

Annual efficiency consumption (AEC): 49.8 kWh / year
Fluid dynamic efficiency class: A
Lighting efficiency class: A
Grease filter efficiency class: E
Weighted sound power emission at maximum speed (SPEmax): 65 dB (A)

OPTIONAL

KITFC906
Charcoal filter
EAN: 8017709064969

75CM ANGLED CHIMNEY HOOD



KTS75SCE2 *St/steel & Silver glass*
EAN: 8017709257262



Electronic control

FEATURES

Tilting glass panel
3 speeds + intensive
2 x LED lights (1W)
Automatic switch off
1 x St/steel grease filter
Internal re-circulation possible
Vent outlet Ø 150mm
Non-return valve

Free outlet maximum capacity: 750 m³ / h
Motor power: 275 W
Noise level (IEC 60704-2-13): 56 dB (A)

ENERGY LABEL

Annual efficiency consumption (AEC): 49.8 kWh / year
Fluid dynamic efficiency class: A
Lighting efficiency class: A
Grease filter efficiency class: E
Weighted sound power emission at maximum speed (SPEmax): 65 dB (A)



KTS75NCE2 *St/steel & Black*
EAN: 8017709257255



KTS75BCE2 *St/steel & White*
EAN: 8017709257248

OPTIONAL

KITFC906
Charcoal filter
EAN: 8017709064969

90CM ANGLED CHIMNEY HOOD



KCV9SE2 *St/steel & Silver glass*
EAN: 8017709257200



Touch control

FEATURES

Tilting glass panel
3 speeds + intensive
2 x LED lights (1W)
Automatic switch off
1 x St/steel grease filter
Internal re-circulation possible
Vent outlet Ø 150mm
Non-return valve

Free outlet maximum capacity: 815 m³ / h
Motor power: 275 W
Noise level (IEC 60704-2-13): 42 dB (A)

ENERGY LABEL

Annual efficiency consumption (AEC): 58.9 kWh / year
Fluid dynamic efficiency class: A
Lighting efficiency class: A
Grease filter efficiency class: G
Weighted sound power emission at maximum speed (SPEmax): 65 dB (A)



KCV9NE2 *St/steel & Black*
EAN: 8017709257194



KCV9BE2 *St/steel & White*
EAN: 8017709257187

OPTIONAL

KITFC906
Charcoal filter
EAN: 8017709064969

80CM ANGLED CHIMNEY HOOD



KCV80SE2 Silver Glass
EAN: 8017709253659



KCV80NE2 Black
EAN: 8017709254384



KCV80BE2 White
EAN: 8017709254377



Touch control

FEATURES

Tilting glass panel
3 speeds + intensive
2 x LED lights (1W)
Automatic switch off
2 x aluminium grease filters
Internal re-circulation possible
Vent outlet Ø 150mm

Free outlet maximum capacity: 720 m³ / h
Motor power: 270 W
Noise level (IEC 60704-2-13): 52 dB (A)

ENERGY LABEL

Annual efficiency consumption (AEC): 56.1 KWh / year
Fluid dynamic efficiency class: A
Lighting efficiency class: A
Grease filter efficiency class: F
Weighted sound power emission at maximum speed (SPEmax): 65 dB (A)

OPTIONAL

KITFC152
Charcoal filter
EAN: 8017709069438

60CM ANGLED CHIMNEY HOOD



KCV60SE2 Silver Glass
EAN: 8017709256890



KCV60NE2 Black
EAN: 8017709256883



KCV60BE2 White
EAN: 8017709256876



Touch control

FEATURES

Tilting glass panel
3 speeds + intensive
2 x LED lights (1W)
Automatic switch off
2 x aluminium grease filters
Internal re-circulation possible
Vent outlet Ø 150mm

Free outlet maximum capacity: 720 m³ / h
Motor power: 270 W
Noise level (IEC 60704-2-13): 52 dB (A)

ENERGY LABEL

Annual efficiency consumption (AEC): 56.1 KWh / year
Fluid dynamic efficiency class: A
Lighting efficiency class: A
Grease filter efficiency class: F
Weighted sound power emission at maximum speed (SPEmax): 65 dB (A)

OPTIONAL

KITFC152
Charcoal filter
EAN: 8017709069438

60 CM TELESCOPIC HOOD



KSET66VSE2 Silver glass
EAN: 8017709256937



KSET66VNE2 Black
EAN: 8017709256920



KSET66VBE2 White
EAN: 8017709256906



Slider control

FEATURES

3 speeds + intensive
2 x LED lights (1W)
Automatic switch off
2 x aluminium grease filters
Internal re-circulation possible
Vent outlet Ø 150mm
Free outlet maximum capacity: 720 m³ / h
Motor power: 270 W
Noise level (IEC 60704-2-13): 52 dB (A)

ENERGY LABEL

Annual efficiency consumption (AEC): 56.1 KWh / year
Fluid dynamic efficiency class: A
Lighting efficiency class: A
Grease filter efficiency class: F
Weighted sound power emission at maximum speed (SPEmax): 65 dB (A)

OPTIONAL

KITFC152
Charcoal filter
EAN: 8017709069438



06

SINKS

Linea sinks complete the look of kitchen, elegantly coordinating with the other appliances with the same aesthetics. Glass chopping boards are available as an option, providing a seamless integrated functional space.

SINK



LRX901D *St/steel* 1 Bowl Sink
with right hand drainer
EAN: 8017709208899



LRX9015D *St/steel* 1 & 3/4
Bowl Sink with right hand drainer
EAN: 8017709208912



LRX902 *St/steel* 2 Bowl
EAN: 8017709208936



LRX901
Bowl depths: 1 x 400mm, 1 x 340mm

Glass board accessories:
CBV40B2, CBV40S2, CBV40N2

LRX9015
Bowl depths: 1 x 200mm, 1 x 160mm
Bowl widths: 1 x 400mm, 1 x 180mm

Glass board accessories:
CBV40B2, CBV40S2, CBV40N2

LRX902
Bowl depths: 1 x 400mm, 1 x 340mm
Bowl depths: 1 x 400mm, 1 x 340mm
Drain: 3.5"

Glass board accessories:
CBV40B2, CBV40S2, CBV40N2

ALSO AVAILABLE IN LEFT HAND VERSION:

LRX9015 *St/steel*
1 Bowl Sink with right hand drainer
EAN: 8017709208905

LRX9015S *St/steel*
1 & 3/4 Bowl Sink with left hand drainer

TAP



M16CR
EAN: 8017709216917

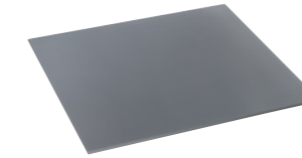
Chrome finish
Swivel spout with aerator
Spout swivels 360°



MD14CR
EAN: 8017709108328

Chrome finish
Spout swivels 170°
Pull out spray

ACCESSORIES



CVB40S2 *Silver Glass*
EAN: 8017709257163

2 x sliding glass chopping boards
Stainless steel underneath glass
Dimensions W 446 x D 406 x H 7mm



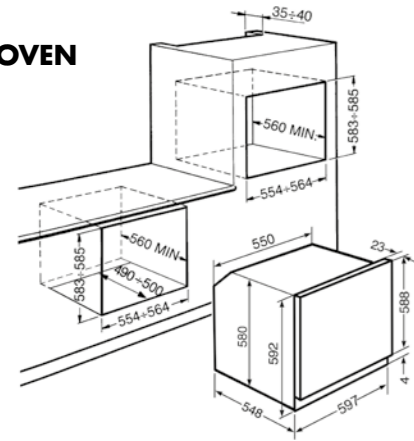
CVB40N2 *Black*
EAN: 8017709257149



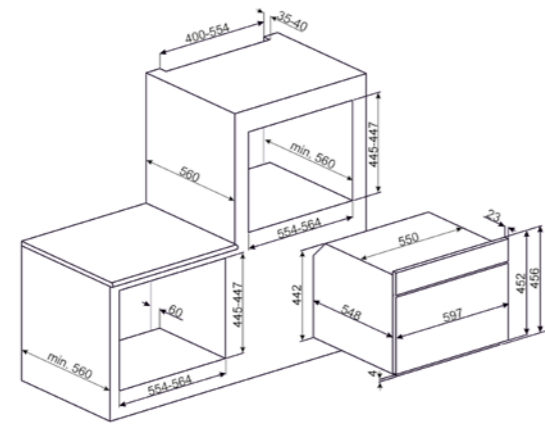
CVB40B2 *White*
EAN: 8017709257156

TECHNICAL DRAWING

OVEN

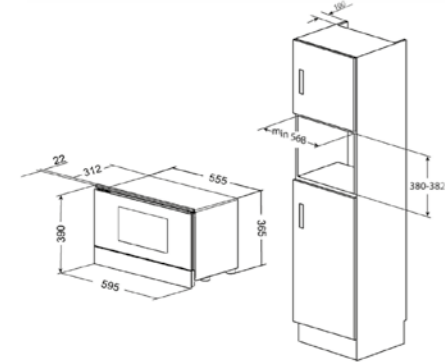
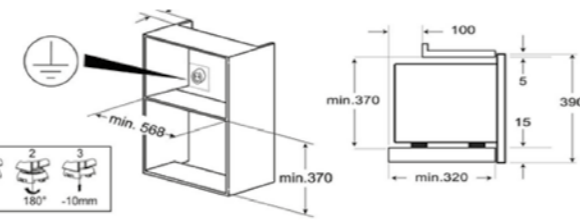
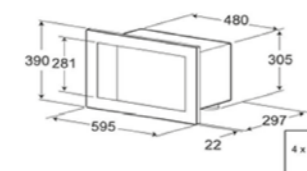
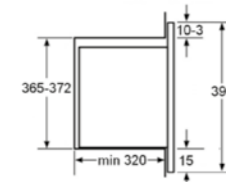
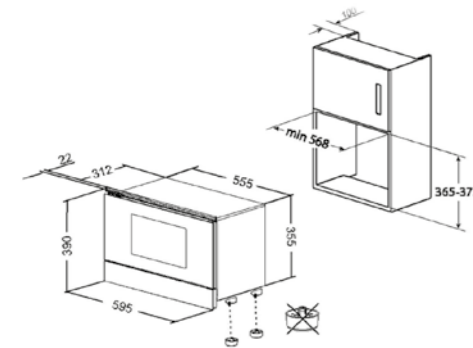


All 60cm ovens

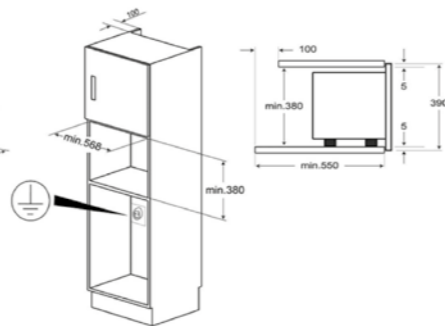
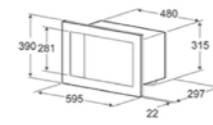
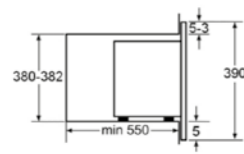


All 45cm reduced height ovens

MICROWAVE OVEN

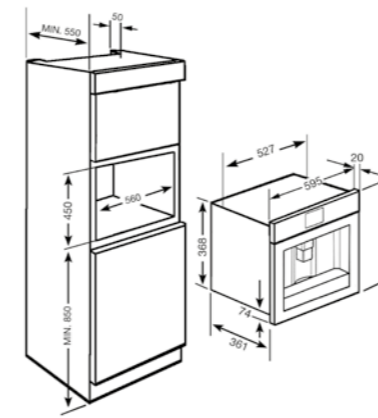


MP122

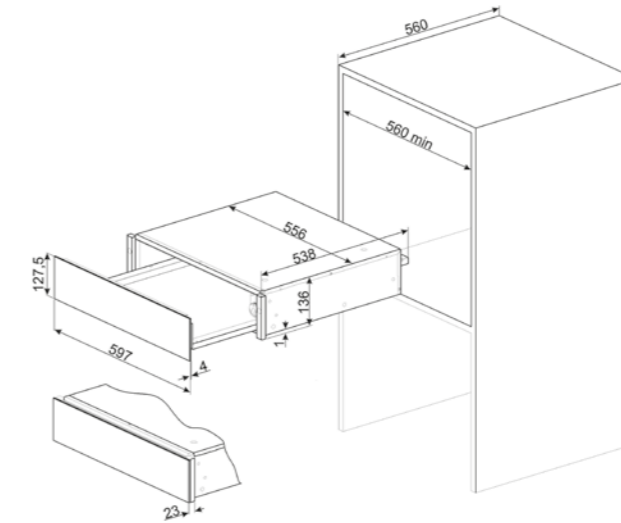


FMI120

COFFEE MACHINES AND WARMING DRAWER

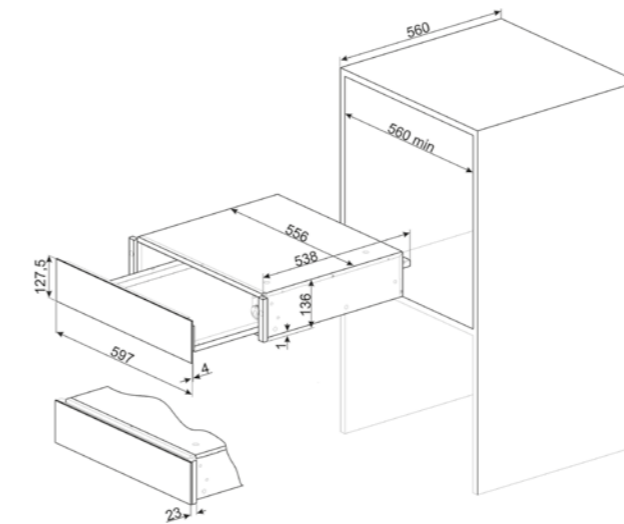


All coffee machines

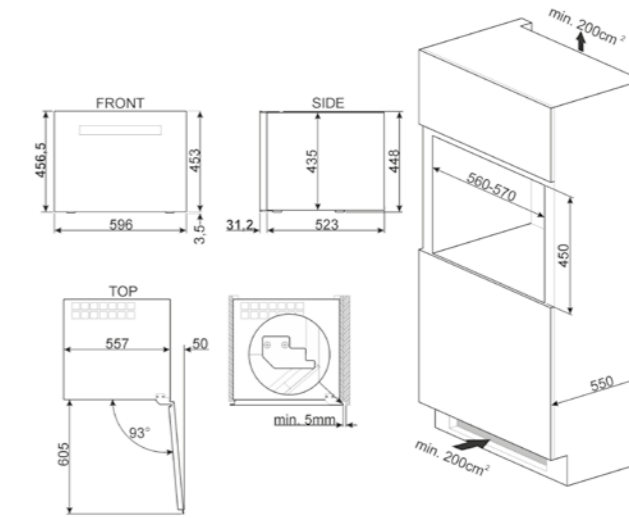


All 15cm warming drawers

SOMMELIER DRAWER AND WINE COOLER

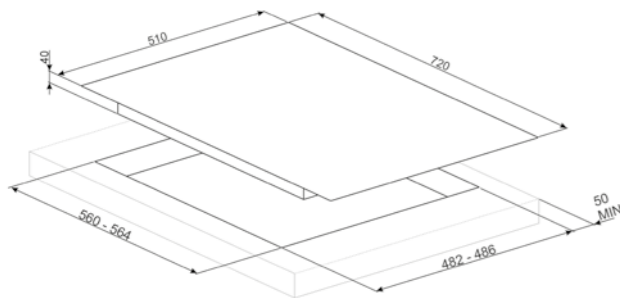


Sommelier drawer

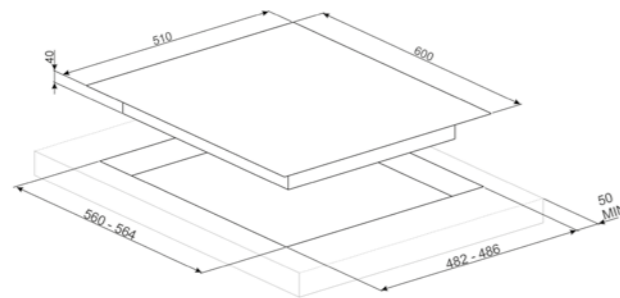


45cm reduced height wine cooler

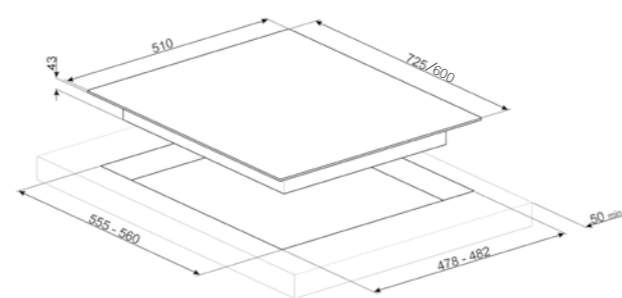
GAS HOBS



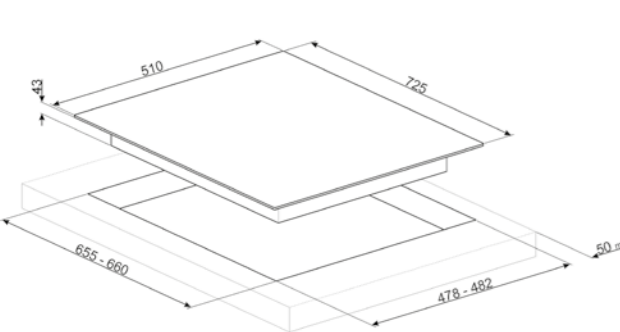
PV175N2



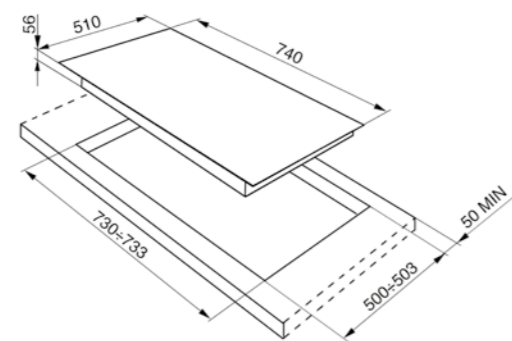
PV164N2



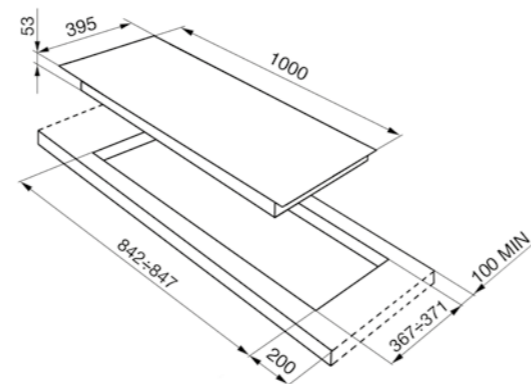
PX175, PX164L



PX175L

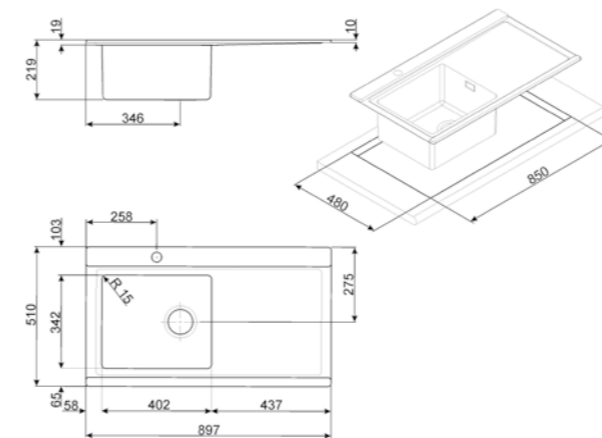


PX7502

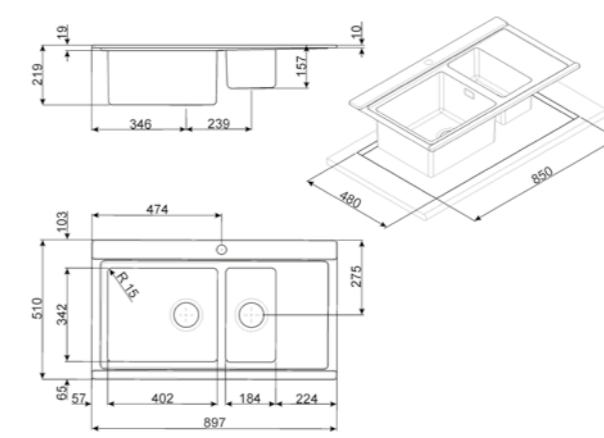


PX1402

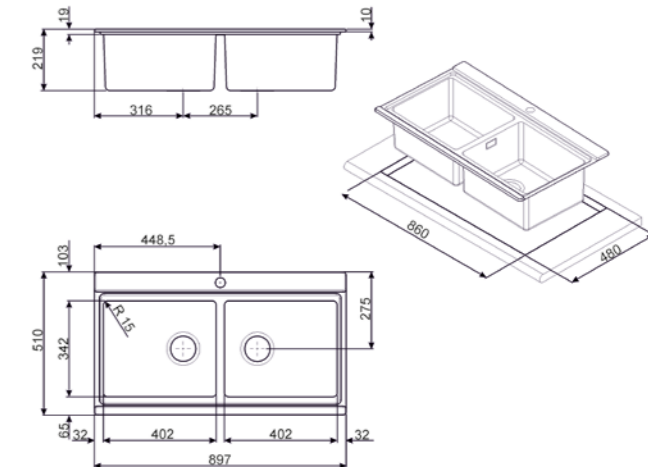
SINKS



LRX901D, LRX901S

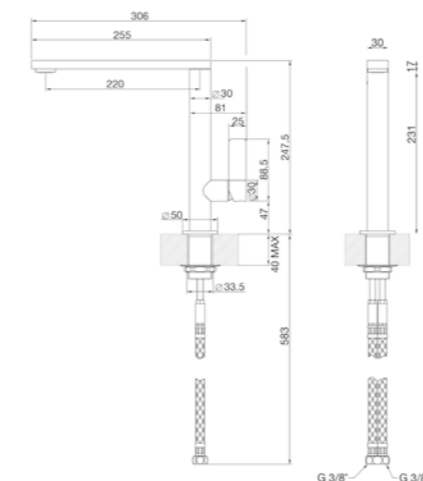


LRX9015D, LRX9015S

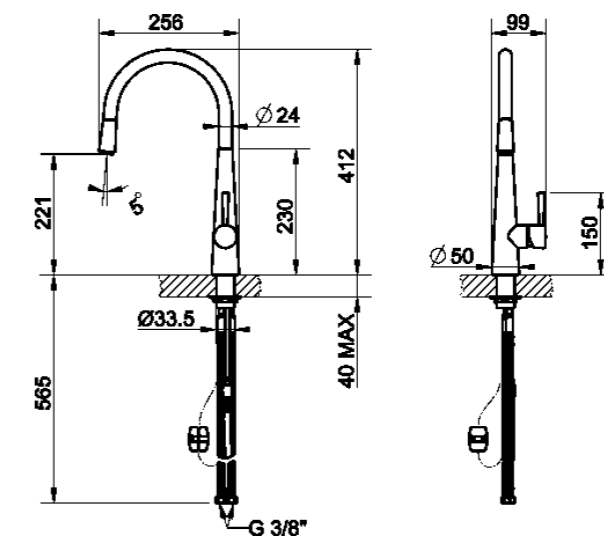


LRX902

TAP

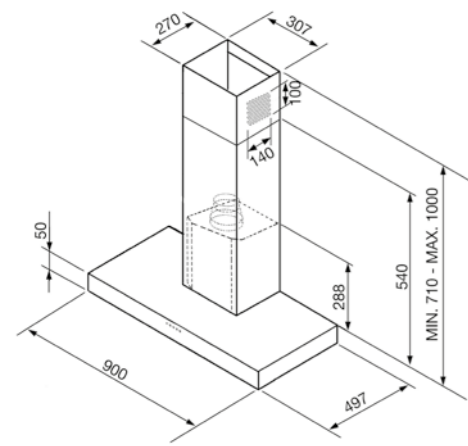


M16CR

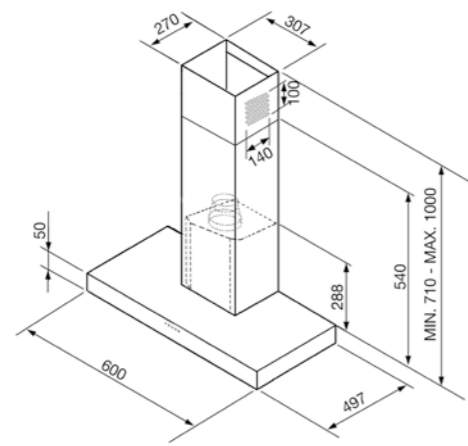


MD14CR

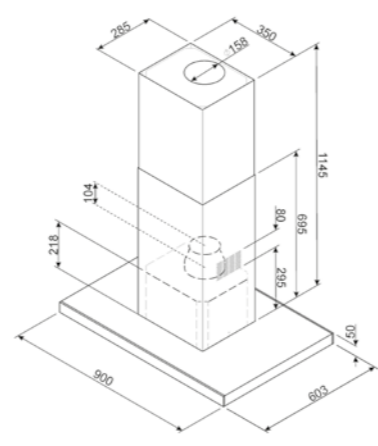
HOODS



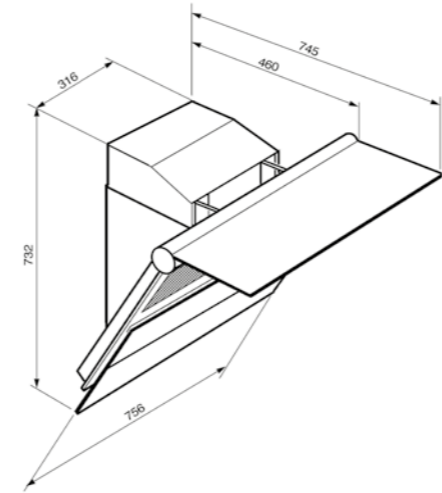
KS905S



KS605S

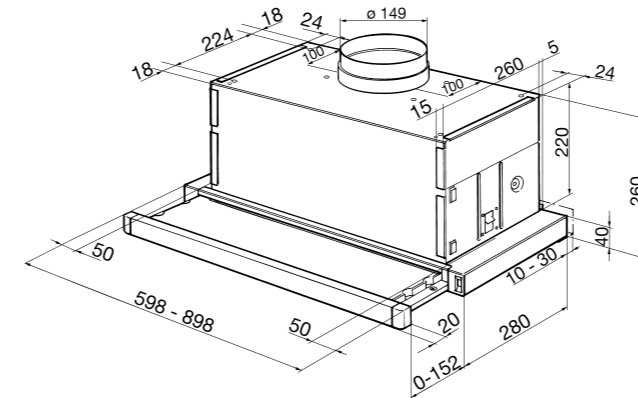


KI905NXE

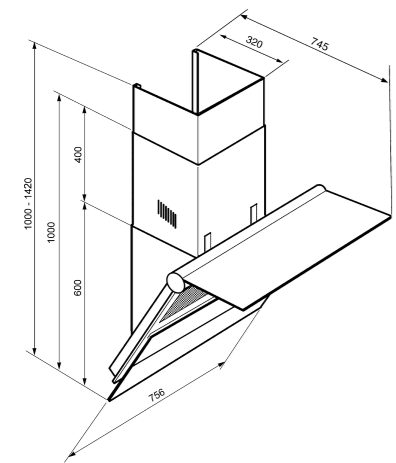


KTS75SE2

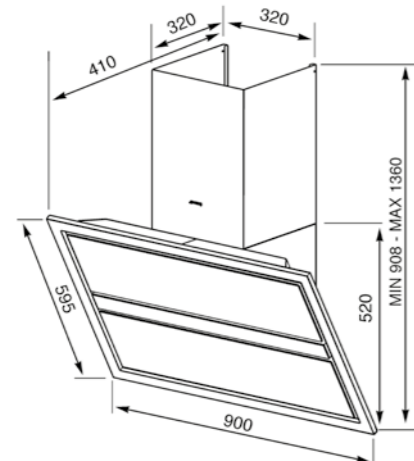
TELESCOPIC HOOD



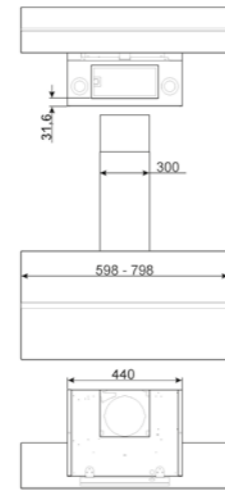
KSET66V



KTS75SCE2, KTS75NCE2, KTS75BCE2



KCV9



KCV80, KCV60



SMEG

**COOKING &
REFRIGERATION**



DISHWASHERS & LAUNDRY

**HOODS &
SINKS**

SMEG S.p.A.
Via Leonardo da Vinci, 4
42016 Guastalla (RE)
Tel. +39 0522 8211
Fax Italy +39 0522 821452
Fax Export +39 0522 821455
E-mail: commerciale.incasso@smeg.it
www.smeg.it

SMEG HAS A STRONG INTERNATIONAL PRESENCE WITH DIRECT COMMERCIAL SUBSIDIARIES

France (1988)	Spain (1991)	Sweden (2005)	USA (2007)	Denmark (2010)	Poland (2014)
United Kingdom (1989)	Germany (1996)	Portugal (2006)	South Africa (2008)	Australia (2011)	Mexico (2015)
Belgium (1989)	Netherlands (2002)	Russia (2007)	Ukraine (2008)	Kazakhstan (2012)	Nordic (2017)

Representative Office: Jeddah (Middle East)

A large network of distribution partners all over the world: Eastern Europe, Scandinavia, the Middle East, Mediterranean countries, North and South Africa, Asia, New Zealand, Canada, Central and Latin America.

SUBSIDIARIES

Australia SMEG AUSTRALIA PTY LTD E-mail: info@smeg.com.au www.smeg.com.au	Kazakhstan SMEG KAZAKHSTAN E-mail: info@smeg.kz www.smeg.kz	United Kingdom SMEG (UK) LTD E-mail: sales@smeguk.com www.smeguk.com	Poland SMEG POLSKA Sp. z o.o. E-mail: info@smeg.pl www.smeg.pl	Spain SMEG ESPAÑA, S.A. E-mail: smeg@smeg.es www.smeg.es	Ukraine SMEG UKRAINA LLC E-mail: info@smeg.ua www.smeg.ua
Belgium N.V. SMEG BELGIUM S.A. E-mail: info@smeg.be www.smeg.be	France SMEG FRANCE E-mail: smeg@smeg.fr www.smeg.fr	Mexico SMEG MEXICO S.A. de C.V. E-mail: sach@smeg.com.mx simone@smeg.com.mx www.smeg.com.mx	Portugal SMEG PORTUGAL, lda. E-mail: comercial@smeg.pt www.smeg.pt	South Africa SMEG SOUTH AFRICA (PTY) LTD. E-mail: info@smegsa.co.za www.smeg.co.za	USA SMEG USA, INC. E-mail: info@smegusa.com www.smegusa.com
Denmark SMEG DANMARK E-mail: info@smeg.dk www.smeg.dk	Germany SMEG HAUSGERÄTE GmbH E-mail: smeg@smeg.de www.smeg.de	Netherlands SMEG NEDERLAND BV E-mail: info@smeg.nl www.smeg.nl	Russia SMEG RUSSIA OOO E-mail: smeg-russia@smeg.com www.smeg.ru	Sweden SMEG SVERIGE AB E-mail: info@smeg.se www.smeg.se	Middle East Representative Office E-mail: mohammed.hammoudeh@smeg.it

GLOSSARY

A+

Products with this symbol, have an energy savings up to 10% compared to Class A, while maintaining the maximum functional efficiency and low energy consumption.



Easy to use touch controls, allow the appliance to be programmed at the touch of a button.



Illuminated controls are a safety device to alert the user that the appliance is on as well as being a stunning design feature.

A

The symbol indicates low energy consumption, A rated for energy efficiency.



Eco-logic option allows you to restrict the power limit of the appliance real energy saving.

OVENS & COMPACT OVENS

70 lt

Most of the ovens in the range have an interior space of 70 litres, one of the largest in the market.



Steam Assisted ovens cook traditionally or with the addition of steam. With the addition of steam in the cavity, exceptional results can be achieved.



Combination microwave ovens can be used either as a microwave, or as a traditional oven, or alternatively the two methods can be combined.

5

Ovens with a 70 litre internal capacity have 5 cooking levels allowing you to cook different dishes at the same time



The inner door glass can be removed with a few quick movements for cleaning.



Microwave cooking allows you to cook very quickly and with considerable energy savings.



The SmartSense cooking system allows the user to customise their dish with a few simple steps.



Shows number of glazed doors. Quadruple glazed doors keep surface temperatures as low as possible and are featured on all Pyrolytic ovens.



Tilting grill, can be detached easily, allowing you to clean the top of the oven simply.

°C

The rapid preheat function can be used to reach the selected temperature in just a few minutes.



All pyrolytic ovens have a Cooler touch door which allows the outer glass door to become no hotter than 55°C.

45 cm

Compact ovens & wine coolers with 45cm reduced heights. Perfect space saving solutions or ideal if you simply want to extend your range of options.



Telescopic rails allow you to pull out the dish and check it without having to remove it from the oven entirely. This symbol appears on models where it is a standard accessory.



The exclusive Pizza system includes a special stone refractory which allows pizza to be cooked in just 3-4 minutes, 5 with particular filling. Excellent results can also be achieved when cooking other food such as breads, pies, and flans.



Surfaceplus ceramic base for a microwave oven - no turntable required, and the whole surface can be used for cooking.



The easy clean enamel interior on Smeg ovens have a special antacid lining which helps keep the interior clean by reducing the amount of cooking grease adhering to it.



Combination steam ovens can be used either as a steam oven, or as a traditional oven, or alternatively the two methods can be combined.

COFFEE MACHINE



The Auto power-on option allows you to program the time to turn on the machine so it is ready for use when desired.



Coffee beans can be used in this appliance.



3 adjustable coffee lengths and **5 levels of coffee strength** can be chosen in this appliance.



Steam function allows you to make cappuccino.



Automatic rinse option



An automatic device for making cappuccino that will whisk milk in a delicate foam directly into the cup.



Ready ground coffee can be used in this appliance.



The coffee temperature is adjustable on three levels

HOB

UR

Powerful Ultra rapid burners offer up to 5kW of power.



Heavy duty cast iron pan stands for maximum stability and strength.



A reinforced base, developed exclusively by Smeg, consists of a steel layer fixed to the underside of the glass surface of all gas on glass hobs.



Directional burners have an almost vertical flame which transfers real power to the pot.

HOOD



Perimeter extraction panels, very efficient and aid noise reduction.



When selected this function refreshes the air for c. 10 minutes every hour over a 24 hour period, at minimum speed and an imperceptible noise level.



Models have **filters** to help remove grease from the steam emanating from the pans during cooking.



A special setting, to run after the end of cooking for a pre-set time and then switch off automatically.



Charcoal filters are purchased as an optional extra, see chart for details.









Warning lights to advise when **filters needs changing**



Electronic display o give a visual reminder of the options selected.



Intensive/turbo setting, when extra fast extraction is required.

 01 OVENS	12
 02 COMPACT OVENS & COFFEE MACHINES	23
 03 WINE COOLERS	34
 04 HOBBS	39
 05 HOODS	42
 06 SINKS & TAPS	51
TECHNICAL DRAWINGS	54
GLOSSARY	62

www.smeg.com

